

6.4 T855 Receiver PCB

This section contains the following information.

IPN	Section	Page
220-01139-00	Parts List	6.4.3
	Mechanical & Miscellaneous Parts	6.4.7
	Grid Reference Index	6.4.9
	PCB Layout - Top Side	6.4.13
	PCB Layout - Bottom Side	6.4.14
	Test Points & Options - Top Side	6.4.15
	Test Points & Options - Bottom Side	6.4.16
	Synthesiser Circuit Diagram	6.4.17
	Audio Processor Circuit Diagram	6.4.18
	Regulator Circuit Diagram	6.4.19
Receiver Circuit Diagram	6.4.20	
220-01139-02	Parts List	6.4.21
	Mechanical & Miscellaneous Parts	6.4.25
	Grid Reference Index	6.4.27
	PCB Layout - Top Side	6.4.31
	PCB Layout - Bottom Side	6.4.32
	Test Points & Options - Top Side	6.4.33
	Test Points & Options - Bottom Side	6.4.34
	Synthesiser Circuit Diagram	6.4.35
	Audio Processor Circuit Diagram	6.4.36
	Regulator Circuit Diagram	6.4.37
Receiver Circuit Diagram	6.4.38	

T855 Parts List (IPN 220-01139-00)

How To Use This Parts List

The components listed in this parts list are divided into two main types: those with a circuit reference (e.g. C2, D1, R121, etc) and those without (miscellaneous and mechanical).

Those with a circuit reference are grouped in alphabetical order and then in numerical order within each group. Each component entry comprises three or four columns: the circuit reference, variant (if applicable), IPN and description. A number in the variant column indicates that this is a variant component which is fitted only to the product type listed.

The miscellaneous and mechanical section lists the variant and common parts in IPN order.

Parts List Amendments

R334	Changed from 10e (036-12100-00) to 22e. Oscillator drive reduced to prevent sig. freq. breakthrough (89/06-318).
R336 & R337	Changed from 470e (036-13470-00) to 220e. Oscillator drive reduced to prevent sig. freq. b/through (89/06-318).
L316	Changed from Coil Tait No 631 (050-00016-31) to Coil Tait No 655 (89/08-455A).
L100	100uh choke added in series with 13.8V bus to Audio Processor to eliminate spikes on 13.8V bus (89/11-658).
C369 & C370	100n added. To meet -55dB EIA hum and noise (90/01-029).
C371	10u added. To meet -55dB EIA hum and noise (90/01-029).
Q307	BCW60/BC848 added. To meet -55dB EIA hum and noise (90/01-029).
R374	15K added. To meet -55dB EIA hum and noise (90/01-029).
R375	3K9 added. To meet -55dB EIA hum and noise (90/01-029).
R376	470e added. To meet -55dB EIA hum and noise (90/01-029).

Ref	Var	IPN	Description	Ref	Var	IPN	Description
C1		015-23120-01	CAP CER 0805 CHIP 120P 5% NPO 50V	C116		015-06100-08	CAP CER 1206 CHIP 100N 10% X7R 50V
C2		015-06100-08	CAP CER 1206 CHIP 100N 10% X7R 50V	C117		020-09100-03	CAP ELECT RADL 100M 16V 8X11MM
C3		015-21820-01	CAP CER 0805 CHIP 8P2 +/-0.25P NPO 50V	C118		020-09100-03	CAP ELECT RADL 100M 16V 8X11MM
C4		015-23120-01	CAP CER 0805 CHIP 120P 5% NPO 50V	C119		015-24100-08	CAP CER 0805 CHIP 1N 10% X7R 50V
C5		015-23120-01	CAP CER 0805 CHIP 120P 5% NPO 50V	C120		015-24100-08	CAP CER 0805 CHIP 1N 10% X7R 50V
C6		015-23120-01	CAP CER 0805 CHIP 120P 5% NPO 50V	C121		015-06100-08	CAP CER 1206 CHIP 100N 10% X7R 50V
C7		015-23120-01	CAP CER 0805 CHIP 120P 5% NPO 50V	C122		020-09470-07	CAP 470M 16V 20% ELEC VERT 8*20 3.5MM L/
C8		015-23120-01	CAP CER 0805 CHIP 120P 5% NPO 50V	C123		015-06100-08	CAP CER 1206 CHIP 100N 10% X7R 50V
C9		015-06100-08	CAP CER 1206 CHIP 100N 10% X7R 50V	C124		020-09100-03	CAP ELECT RADL 100M 16V 8X11MM
C13		020-58100-03	CAP ELECT AI RDL 10M 50V 5X11MM	C125		020-09220-01	CAP ELECT RADL 220M 16V 10X12.5MM
C14		015-06100-08	CAP CER 1206 CHIP 100N 10% X7R 50V	C126		015-06100-08	CAP CER 1206 CHIP 100N 10% X7R 50V
C15		015-22560-01	CAP CER 0805 CHIP 56P 5% NPO 50V	C127		020-09220-01	CAP ELECT RADL 220M 16V 10X12.5MM
C16		015-23680-08	CAP CER 0805 CHIP 680P 10% X7R 50V	C128		015-06100-08	CAP CER 1206 CHIP 100N 10% X7R 50V
C17		015-23470-08	CAP CER 0805 CHIP 470P 10% X7R 50V	C129		015-06100-08	CAP CER 1206 CHIP 100N 10% X7R 50V
C19		015-06100-08	CAP CER 1206 CHIP 100N 10% X7R 50V	&C130	NB	015-24470-08	CAP CER 0805 CHIP 4N7 10% X7R 50V
C20		020-58100-03	CAP ELECT AI RDL 10M 50V 5X11MM	&C130	WB	015-25100-08	CAP CER 0805 CHIP 10N 10% X7R 50V
C21		015-25100-08	CAP CER 0805 CHIP 10N 10% X7R 50V	&C131	NB	015-24100-08	CAP CER 0805 CHIP 1N 10% X7R 50V
C22		015-25150-08	CAP CER 0805 CHIP 15N 10% X7R 50V	&C131	WB	015-24100-08	CAP CER 0805 CHIP 1N 10% X7R 50V
C23		022-06330-03	CAP METAL POLYES 330N 10% 50V 5MM L/S	&C132	NB	015-25100-08	CAP CER 0805 CHIP 10N 10% X7R 50V
C24		020-58100-03	CAP ELECT AI RDL 10M 50V 5X11MM	&C132	WB	015-24470-08	CAP CER 0805 CHIP 4N7 10% X7R 50V
C25		015-05470-08	CAP CER 1206 CHIP 47N 10% X7R 50V	C133		015-05470-08	CAP CER 1206 CHIP 47N 10% X7R 50V
C26		025-08100-02	CAP TANT BEAD 10M 10% 16V	C134		020-07470-92	CAP BI-POLAR RADL 4M7 50V 6X11MM 5MM L/S
C27		025-08100-02	CAP TANT BEAD 10M 10% 16V	C135		020-07470-92	CAP BI-POLAR RADL 4M7 50V 6X11MM 5MM L/S
C28		015-06100-08	CAP CER 1206 CHIP 100N 10% X7R 50V	C136		015-24100-08	CAP CER 0805 CHIP 1N 10% X7R 50V
C30		015-06100-08	CAP CER 1206 CHIP 100N 10% X7R 50V	C137		015-24100-08	CAP CER 0805 CHIP 1N 10% X7R 50V
C31		015-06100-08	CAP CER 1206 CHIP 100N 10% X7R 50V	C138		015-06100-08	CAP CER 1206 CHIP 100N 10% X7R 50V
C32		015-06100-08	CAP CER 1206 CHIP 100N 10% X7R 50V	C200		015-06100-08	CAP CER 1206 CHIP 100N 10% X7R 50V
C33		015-24100-08	CAP CER 0805 CHIP 1N 10% X7R 50V	C201		020-58100-03	CAP ELECT AI RDL 10M 50V 5X11MM
C34		015-21820-01	CAP CER 0805 CHIP 8P2 +/-0.25P NPO 50V	C202		015-06100-08	CAP CER 1206 CHIP 100N 10% X7R 50V
C35		015-06100-08	CAP CER 1206 CHIP 100N 10% X7R 50V	C203		015-24100-08	CAP CER 0805 CHIP 1N 10% X7R 50V
C36		025-08100-02	CAP TANT BEAD 10M 10% 16V	C204		020-09470-07	CAP 470M 16V 20% ELEC VERT 8*20 3.5MM L/
C100		020-57100-02	CAP ELECT AI RDL 1M 50V 5X11MM	C205		015-24470-08	CAP CER 0805 CHIP 4N7 10% X7R 50V
&C101	NB	015-24470-08	CAP CER 0805 CHIP 4N7 10% X7R 50V	C206		015-24100-08	CAP CER 0805 CHIP 1N 10% X7R 50V
&C101	WB	015-24470-08	CAP CER 0805 CHIP 4N7 10% X7R 50V	C207		020-58100-03	CAP ELECT AI RDL 10M 50V 5X11MM
C102		020-58470-02	CAP ELECT AI RDL 47M 16V 6X11MM	C210		015-06100-08	CAP CER 1206 CHIP 100N 10% X7R 50V
&C103	NB	015-05470-08	CAP CER 1206 CHIP 47N 10% X7R 50V	C211		025-08100-02	CAP TANT BEAD 10M 10% 16V
&C103	WB	015-05470-08	CAP CER 1206 CHIP 47N 10% X7R 50V	C212		025-07330-01	CAP TANT BEAD 3M3 35V
&C104	NB	015-21220-01	CAP CER 0805 CHIP 2P2 +/-0.25P NPO 50V	C213		015-24470-08	CAP CER 0805 CHIP 4N7 10% X7R 50V
&C104	WB	015-21220-01	CAP CER 0805 CHIP 2P2 +/-0.25P NPO 50V	C214		020-57100-02	CAP ELECT AI RDL 1M 50V 5X11MM
C105		015-06100-08	CAP CER 1206 CHIP 100N 10% X7R 50V	C215		020-58100-03	CAP ELECT AI RDL 10M 50V 5X11MM
&C106	NB	015-22470-01	CAP CER 0805 CHIP 47P 5% NPO 50V	C216		015-06100-08	CAP CER 1206 CHIP 100N 10% X7R 50V
&C106	WB	015-22470-01	CAP CER 0805 CHIP 47P 5% NPO 50V	C217		015-23120-01	CAP CER 0805 CHIP 120P 5% NPO 50V
C107		015-24470-08	CAP CER 0805 CHIP 4N7 10% X7R 50V	C218		015-23120-01	CAP CER 0805 CHIP 120P 5% NPO 50V
C108		015-24100-08	CAP CER 0805 CHIP 1N 10% X7R 50V	C219		015-06100-08	CAP CER 1206 CHIP 100N 10% X7R 50V
C110		020-09100-03	CAP ELECT RADL 100M 16V 8X11MM	C220		015-23120-01	CAP CER 0805 CHIP 120P 5% NPO 50V
C111		015-24470-08	CAP CER 0805 CHIP 4N7 10% X7R 50V	C221		015-06100-08	CAP CER 1206 CHIP 100N 10% X7R 50V
C112		020-58470-03	CAP ELECT AI RDL 10M 50V 5X11MM	C222		015-06100-08	CAP CER 1206 CHIP 100N 10% X7R 50V
C113		015-24100-08	CAP CER 0805 CHIP 1N 10% X7R 50V	&C300	NB	015-21820-01	CAP CER 0805 CHIP 8P2 +/-0.25P NPO 50V
C114		015-24100-08	CAP CER 0805 CHIP 1N 10% X7R 50V	&C300	WB	015-21820-01	CAP CER 0805 CHIP 8P2 +/-0.25P NPO 50V
C115		015-06100-08	CAP CER 1206 CHIP 100N 10% X7R 50V	C301		015-22390-01	CAP CER 0805 CHIP 39P 5% NPO 50V

Ref	Var	IPN	Description	Ref	Var	IPN	Description
C302		015-21330-01	CAP CER 0805 CHIP 3P3 +/-0.25P NPO 50V	&IC1	NB	002-00017-47	(S) IC SP8719 UHF 80/81 PRESC
C303		015-21330-01	CAP CER 0805 CHIP 3P3 +/-0.25P NPO 50V	&IC1	WB	002-00017-45	(S) IC SP8718 UHF 64/65 PRESC
C304		015-22390-01	CAP CER 0805 CHIP 3P9 5% NPO 50V	=IC2		539-00010-41	TCXO 12.8MHZ +/-2.5PPM -30 TO +70C NDK NS
C305		015-21680-01	CAP CER 0805 CHIP 6P8 +/-0.25P NPO 50V	=IC2	2.5pp	539-00010-43	TCXO 12.8MHZ +/-2PPM -10 TO +60C NDK TI
C306		015-21820-01	CAP CER 0805 CHIP 8P2 +/-0.25P NPO 50V	=IC2	1pp	539-00010-44	TCXO 12.8MHZ +/-1PPM 0 TO +60C
C307		015-05470-08	CAP CER 1206 CHIP 47N 10% X7R 50V	IC3		002-00017-63	(S) IC NJ8820DP FREQ SYNTHESIZER
C308		015-21680-01	CAP CER 0805 CHIP 6P8 +/-0.25P NPO 50V	IC4		002-00012-47	(S) IC MC33078 DUAL OP AMP LO NOISE
C310		015-21330-01	CAP CER 0805 CHIP 3P3 +/-0.25P NPO 50V	IC5		002-74000-04	(S) IC 74HCU04 UNBUFF HEX INVERTER
C311		015-24470-08	CAP CER 0805 CHIP 4N7 10% X7R 50V	IC6		002-74000-74	(S) IC 74HC74 DUAL D F/F
C312		015-23120-01	CAP CER 0805 CHIP 120P 5% NPO 50V	IC100		002-00012-40	(S) IC 358P DUAL OP AMP
C313		015-21330-01	CAP CER 0805 CHIP 3P3 +/-0.25P NPO 50V	IC101		002-00012-40	(S) IC 358P DUAL OP AMP
C314		015-05470-08	CAP CER 1206 CHIP 47N 10% X7R 50V	IC102		002-00014-05	(S) IC TDA7231 1.6W AF PWR
&C315	NB	015-21820-01	CAP CER 0805 CHIP 8P2 +/-0.25P NPO 50V	IC103		002-00014-05	(S) IC TDA7231 1.6W AF PWR
&C315	WB	015-21820-01	CAP CER 0805 CHIP 8P2 +/-0.25P NPO 50V	IC104		002-00012-40	(S) IC 358P DUAL OP AMP
C316		015-23120-01	CAP CER 0805 CHIP 120P 5% NPO 50V	IC201		002-00012-40	(S) IC 358P DUAL OP AMP
C317		015-21270-01	CAP CER 0805 CHIP 2P7 +/-0.25P NPO 50V	IC202		002-00014-62	(S) IC 317L 100MA REG 3 TERMINAL TO-92
C318		015-22100-01	CAP CER 0805 CHIP 10P +/-0.5P NPO 50V	IC300		002-00014-72	(S) IC MC3361 LO PWR FM IF
C319		015-25100-08	CAP CER 0805 CHIP 10N 10% X7R 50V	IC301		002-00022-01	(S) MIXER DOUBLE BLNCD TAK-1WH MIXER 2-7
C320		015-24100-08	CAP CER 0805 CHIP 1N 10% X7R 50V	IC302		002-00014-58	(S) IC 78L05 5V 100MA REG TO-92
C322		015-24470-08	CAP CER 0805 CHIP 4N7 10% X7R 50V				
C323		015-22270-01	CAP CER 0805 CHIP 27P 5% NPO 50V	L1		052-08125-15	COIL A/W 1.5T/2.5MM HOR 0.8MM WIRE
C324		015-23100-01	CAP CER 0805 CHIP 100P 5% NPO 50V	L100		056-00021-02	IND FXD 100UH AXIAL
&C325	NB	015-22100-01	CAP CER 0805 CHIP 10P +/-0.5P NPO 50V	L300		052-08125-25	COIL A/W 2.5T/2.5MM HOR 0.8MM WIRE
&C325	WB	015-22100-01	CAP CER 0805 CHIP 12P 5% NPO 50V	L301		050-00016-22	COIL TAIT NO 622 20-120MHZ 7MM CAN
C326		020-58100-03	CAP ELECT AI RDL 10M 50V 5X11MM	L302		052-08140-15	COIL A/W 1.5T/4.0MM HOR 0.8MM WIRE
C327		015-21270-01	CAP CER 0805 CHIP 2P7 +/-0.25P NPO 50V	L303		052-08140-15	COIL A/W 1.5T/4.0MM HOR 0.8MM WIRE
C328		020-58100-03	CAP ELECT AI RDL 10M 50V 5X11MM	L304		050-00016-22	COIL TAIT NO 622 20-120MHZ 7MM CAN
C330		015-05470-08	CAP CER 1206 CHIP 47N 10% X7R 50V	L305		052-08125-25	COIL A/W 2.5T/2.5MM HOR 0.8MM WIRE
&C332	NB	015-22100-01	CAP CER 0805 CHIP 10P +/-0.5P NPO 50V	L306		050-00016-22	COIL TAIT NO 622 20-120MHZ 7MM CAN
&C332	WB	015-22100-01	CAP CER 0805 CHIP 12P 5% NPO 50V	L307		056-00021-04	IND FXD 330NH AXIAL
C333		015-24470-08	CAP CER 0805 CHIP 4N7 10% X7R 50V	L308		050-00016-22	COIL TAIT NO 622 20-120MHZ 7MM CAN
C335		015-22100-01	CAP CER 0805 CHIP 10P +/-0.5P NPO 50V	L309		050-00016-22	COIL TAIT NO 622 20-120MHZ 7MM CAN
C336		015-22560-01	CAP CER 0805 CHIP 56P 5% NPO 50V	L310		056-00021-04	IND FXD 330NH AXIAL
C337		015-24470-08	CAP CER 0805 CHIP 4N7 10% X7R 50V	L311		050-00016-21	COIL TAIT NO 621 FXD 10.7MHZ 7MM CAN
C338		015-23120-01	CAP CER 0805 CHIP 120P 5% NPO 50V	L312		050-00016-22	COIL TAIT NO 622 20-120MHZ 7MM CAN
C339		015-24470-08	CAP CER 0805 CHIP 4N7 10% X7R 50V	L313		050-00016-22	COIL TAIT NO 622 20-120MHZ 7MM CAN
C340		015-21270-01	CAP CER 0805 CHIP 2P7 +/-0.25P NPO 50V	L314		050-00016-22	COIL TAIT NO 622 20-120MHZ 7MM CAN
C341		015-24470-08	CAP CER 0805 CHIP 4N7 10% X7R 50V	L316		050-00016-55	COIL TAIT NO 655 455KHZ QUAD COIL 7MM CA
C342		015-24470-08	CAP CER 0805 CHIP 4N7 10% X7R 50V				
C343		025-08100-02	CAP TANT BEAD 10M 10% 16V	LED1		008-00013-32	(S) LED 3MM RED LO CURRENT NO MTG
C344		015-24470-08	CAP CER 0805 CHIP 4N7 10% X7R 50V	LED2		008-00013-35	(S) LED 3MM GREEN LO CURRENT NO MTG
C345		015-24470-08	CAP CER 0805 CHIP 4N7 10% X7R 50V				
C346		015-24100-08	CAP CER 0805 CHIP 1N 10% X7R 50V	PL1		240-00020-48	HEADER 36 WAY 1 ROW PCB MTG
C347		015-22150-01	CAP CER 0805 CHIP 15P 5% NPO 50V	PL2		240-00020-48	HEADER 36 WAY 1 ROW PCB MTG
C350		015-05470-08	CAP CER 1206 CHIP 47N 10% X7R 50V	PL3		240-00020-58	HEADER 5 WAY 1 ROW PCB MTG
C351		015-22150-01	CAP CER 0805 CHIP 15P 5% NPO 50V	PL4		240-00020-58	HEADER 5 WAY 1 ROW PCB MTG
C352		020-58100-03	CAP ELECT AI RDL 10M 50V 5X11MM	PL5		240-00020-57	HEADER 10 WAY 1 ROW PCB MTG
C353		015-22150-01	CAP CER 0805 CHIP 15P 5% NPO 50V	PL100		240-00020-59	HEADER 3 WAY 1 ROW PCB MTG
C354		015-24470-08	CAP CER 0805 CHIP 4N7 10% X7R 50V	PL101		240-00020-59	HEADER 3 WAY 1 ROW PCB MTG
C355		025-08100-02	CAP TANT BEAD 10M 10% 16V	PL102		240-00020-59	HEADER 3 WAY 1 ROW PCB MTG
C356		015-05470-08	CAP CER 1206 CHIP 47N 10% X7R 50V	PL103		240-00020-59	HEADER 3 WAY 1 ROW PCB MTG
C357		015-05470-08	CAP CER 1206 CHIP 47N 10% X7R 50V	PL104		240-00020-59	HEADER 3 WAY 1 ROW PCB MTG
C359		015-24470-08	CAP CER 0805 CHIP 4N7 10% X7R 50V	PL105		240-00020-58	HEADER 5 WAY 1 ROW PCB MTG
C360		015-25100-08	CAP CER 0805 CHIP 10N 10% X7R 50V	PL106		240-00020-58	HEADER 3 WAY 1 ROW PCB MTG
&C361	NB	015-21820-01	CAP CER 0805 CHIP 8P2 +/-0.25P NPO 50V	Q1		000-100057-10	(S) XSTR SMD MMBR571 NPN SOT-23 UHF LO P
&C361	WB	015-21820-01	CAP CER 0805 CHIP 8P2 +/-0.25P NPO 50V	Q3		000-10008-48	(S) XSTR SMD BCW60/BC848B215 NPN SOT23 A
C362		015-24470-08	CAP CER 0805 CHIP 4N7 10% X7R 50V	Q4		000-10008-48	(S) XSTR SMD BCW60/BC848B215 NPN SOT23 A
C363		015-25100-08	CAP CER 0805 CHIP 10N 10% X7R 50V	Q100		000-10008-48	(S) XSTR SMD BCW60/BC848B215 NPN SOT23 A
C364		015-24470-08	CAP CER 0805 CHIP 4N7 10% X7R 50V	Q101		000-10008-57	(S) XSTR SMD BCW70/BC857-215 PNP SOT23 A
C365		015-05470-08	CAP CER 1206 CHIP 47N 10% X7R 50V	Q102		000-10008-57	(S) XSTR SMD BCW70/BC857-215 PNP SOT23 A
&C366	NB	015-24470-08	CAP CER 0805 CHIP 4N7 10% X7R 50V	Q103		000-10008-57	(S) XSTR SMD BCW70/BC857-215 PNP SOT23 A
&C366	WB	015-22470-01	CAP CER 0805 CHIP 47P 5% NPO 50V	Q104		000-10008-17	(S) XSTR SMD BC817-25 NPN SOT-23 AF LO P
&C367	NB	015-24470-08	CAP CER 0805 CHIP 4N7 10% X7R 50V	Q105		000-10008-48	(S) XSTR SMD BCW60/BC848B215 NPN SOT23 A
&C367	WB	015-22470-01	CAP CER 0805 CHIP 47P 5% NPO 50V	Q106		000-10008-48	(S) XSTR SMD BCW60/BC848B215 NPN SOT23 A
C368		015-24470-08	CAP CER 0805 CHIP 4N7 10% X7R 50V	Q107		000-10008-48	(S) XSTR SMD BCW60/BC848B215 NPN SOT23 A
C369		015-06100-08	CAP CER 1206 CHIP 100N 10% X7R 50V	Q108		000-10008-48	(S) XSTR SMD BCW60/BC848B215 NPN SOT23 A
C370		015-06100-08	CAP CER 1206 CHIP 100N 10% X7R 50V	Q200		000-00011-30	(S) XSTR BC557B PNP AF SML SIG TO92
C371		020-58100-03	CAP ELECT AI RDL 10M 50V 5X11MM	Q201		000-00012-15	(S) XSTR BD234 PNP AF PWR TO126
D1		001-10000-70	(S) DIODE SMD BAV70 DUAL SWITCH SOT-23 C	Q202		000-10008-17	(S) XSTR SMD BC817-25 NPN SOT-23 AF LO P
D2		001-10000-70	(S) DIODE SMD BAV70 DUAL SWITCH SOT-23 C	Q300		000-10008-57	(S) XSTR SMD BCW70/BC857-215 PNP SOT23 A
D100		001-10000-99	(S) DIODE SMD BAV99 DUAL SWITCH SGLNG INL	Q301		000-10008-48	(S) XSTR SMD BCW60/BC848B215 NPN SOT23 A
D101		001-10000-56	(S) DIODE SMD BAW56 DUAL SWITCH SOT-23 C	Q302		000-10008-48	(S) XSTR SMD BCW60/BC848B215 NPN SOT23 A
D102		008-00013-32	(S) LED 3MM RED LO CURRENT NO MTG	Q303		000-10008-92	(S) XSTR SMD BFS17 NPN SOT-23 UHF SMALL
D103		001-10000-70	(S) DIODE SMD BAV70 DUAL SWITCH SOT-23 C	Q304		000-100057-10	(S) XSTR SMD MMBR571 NPN SOT-23 UHF LO P
D104		001-10000-70	(S) DIODE SMD BAV70 DUAL SWITCH SOT-23 C	Q305		000-00020-18	(S) XSTR SMD BF991 DGMOSFET
D105		008-00013-35	(S) LED 3MM GREEN LO CURRENT NO MTG	Q306		000-10008-48	(S) XSTR BF247A JFET TO-92 VHF SMALL SIG
D106		001-00011-70	(S) DIODE 1N4001 1A/50V	Q307		000-10008-48	(S) XSTR SMD BCW60/BC848B215 NPN SOT23 A
D107		001-00011-70	(S) DIODE 1N4001 1A/50V				
D108		001-00011-70	(S) DIODE 1N4001 1A/50V	R1		036-12100-00	RES M/F 0805 CHIP 10E 5%
D200		001-10000-99	(S) DIODE SMD BAV99 DUAL SWITCH SGLNG INL	R2		036-17100-00	RES M/F 0805 CHIP 1M 5%
D201		001-00011-60	(S) DIODE SR2607 6A/30V	R3		036-14100-00	RES M/F 0805 CHIP 1K 5%
D203		001-10000-70	(S) DIODE SMD BAV70 DUAL SWITCH SOT-23 C	R4		036-17100-00	RES M/F 0805 CHIP 1M 5%
D300		001-10000-56	(S) DIODE SMD BAW56 DUAL SWITCH SOT-23 C	R5		036-14330-00	RES M/F 0805 CHIP 3K3 5%
FL300	LOW	051-00005-47	COIL A/W 5.25T/8MM 400-450MHZ HELIC	R6		036-13120-00	RES M/F 0805 CHIP 120E 5%
FL300	MID	051-00005-47	COIL A/W 5.25T/8MM 400-450MHZ HELIC	R7		036-13100-00	RES M/F 0805 CHIP 100E 5%
FL300	HIGH	051-00005-48	COIL A/W 5T/8MM 430-480MHZ HELIC	R8		036-17100-00	RES M/F 0805 CHIP 1M 5%
FL300	MID	051-00005-48	COIL A/W 5T/8MM 430-480MHZ HELIC	R9		036-12180-00	RES M/F 0805 CHIP 18E 5%
FL300	HI	051-00005-49	COIL A/W 4.5T/8MM 470-520MHZ HELIC	R10		036-17100-00	RES M/F 0805 CHIP 1M 5%
FL300	HI	051-00005-49	COIL A/W 4.5T/8MM 470-520MHZ HELIC	R11		036-12680-00	RES M/F 0805 CHIP 68E 5%
FL301	LOW	051-00005-47	COIL A/W 5.25T/8MM 400-450MHZ HELIC	R12		036-17100-00	RES M/F 0805 CHIP 1M 5%
FL301	LOW	051-00005-47	COIL A/W 5.25T/8MM 400-450MHZ HELIC	R13		036-17100-00	RES M/F 0805 CHIP 1M 5%
FL301	MID	051-00005-48	COIL A/W 5T/8MM 430-480MHZ HELIC	R14		036-12100-00	RES M/F 0805 CHIP 10E 5%
FL301	MID	051-00005-48	COIL A/W 5T/8MM 430-480MHZ HELIC	R15		036-17100-00	RES M/F 0805 CHIP 1M 5%
FL301	HI	051-00005-49	COIL A/W 4.5T/8MM 470-520MHZ HELIC	R16		036-12220-00	RES M/F 0805 CHIP 22E 5%
FL301	HI	051-00005-49	COIL A/W 4.5T/8MM 470-520MHZ HELIC	R20		036-12220-00	RES M/F 0805 CHIP 22E 5%
				R21		036-15120-00	RES M/F 0805 CHIP 12K 5%

Ref	Var	IPN	Description	Ref	Var	IPN	Description
R22		036-15100-00	RES M/F 0805 CHIP 10K 5%	R204		032-33270-00	RES M/F PWR 270E 5% 1W 12X4.5MM
R23		036-16470-00	RES M/F 0805 CHIP 470K 5%	R205		032-31100-00	RES M/F PWR 1E0 5% 1W 12X4.5MM
R24		036-13100-00	RES M/F 0805 CHIP 100E 5%	R206		036-14680-00	RES M/F 0805 CHIP 6K8 5%
R25		036-14100-00	RES M/F 0805 CHIP 1K 5%	R207		036-15100-00	RES M/F 0805 CHIP 10K 5%
R26		036-17100-00	RES M/F 0805 CHIP 1M 5%	R208		032-31100-00	RES M/F PWR 1E0 5% 1W 12X4.5MM
R27		036-17100-00	RES M/F 0805 CHIP 1M 5%	R209		036-13100-00	RES M/F 0805 CHIP 100E 5%
R28		036-15100-00	RES M/F 0805 CHIP 10K 5%	R212		036-12100-00	RES M/F 0805 CHIP 10E 5%
R29		036-16100-00	RES M/F 0805 CHIP 100K 5%	R213		036-15150-00	RES M/F 0805 CHIP 15K 5%
R30		036-15100-00	RES M/F 0805 CHIP 10K 5%	R214		036-16100-00	RES M/F 0805 CHIP 100K 5%
R31		036-15100-00	RES M/F 0805 CHIP 10K 5%	R215		036-15560-00	RES M/F 0805 CHIP 56K 5%
R32		036-16470-00	RES M/F 0805 CHIP 470K 5%	R216		036-14150-00	RES M/F 0805 CHIP 1K5 5%
R33		036-16470-00	RES M/F 0805 CHIP 470K 5%	R217		036-13470-00	RES M/F 0805 CHIP 470E 5%
R34		036-14680-00	RES M/F 0805 CHIP 6K8 5%	R300		036-15180-00	RES M/F 0805 CHIP 18K 5%
R35		036-12220-00	RES M/F 0805 CHIP 22E 5%	RV300		042-04220-06	RES PRESET 2K2 CARBON 6MM FLAT
R36		036-14150-00	RES M/F 0805 CHIP 1K5 5%	R301		036-15100-00	RES M/F 0805 CHIP 10K 5%
R37		036-14100-00	RES M/F 0805 CHIP 1K 5%	RV301		042-04220-06	RES PRESET 2K2 CARBON 6MM FLAT
R38		036-15150-00	RES M/F 0805 CHIP 15K 5%	R302		036-16390-00	RES M/F 0805 CHIP 390K 5%
R39		036-16100-00	RES M/F 0805 CHIP 100K 5%	R303		036-12470-00	RES M/F 0805 CHIP 47E 5%
R40		036-12220-00	RES M/F 0805 CHIP 22E 5%	R304		036-14330-00	RES M/F 0805 CHIP 3K3 5%
R41		036-12100-00	RES M/F 0805 CHIP 10E 5%	R305		036-15150-00	RES M/F 0805 CHIP 15K 5%
R42		036-12100-00	RES M/F 0805 CHIP 10E 5%	R306		036-14330-00	RES M/F 0805 CHIP 3K3 5%
R100		036-15270-00	RES M/F 0805 CHIP 27K 5%	R307		036-14100-00	RES M/F 0805 CHIP 1K 5%
RL100		237-00010-22	RELAY 12V DPDT 8PIN DIL PCB MTG FUJITSU	R308		036-10000-00	RES M/F 0805 CHIP ZERO OHM
RV100		040-05100-21	POT 10K LIN VERT PCB MTG 15MM SLOT SHAFT	R309		036-16100-00	RES M/F 0805 CHIP 100K 5%
R101		036-13100-00	RES M/F 0805 CHIP 100E 5%	R310		036-15220-00	RES M/F 0805 CHIP 22K 5%
RV101		042-05100-06	RES PRESET 10K CARBON 6MM FLAT	R311		036-10000-00	RES M/F 0805 CHIP ZERO OHM
R102		036-14220-00	RES M/F 0805 CHIP 2K2 5%	R313		036-14270-00	RES M/F 0805 CHIP 2K7 5%
RV102		040-05100-21	POT 10K LIN VERT PCB MTG 15MM SLOT SHAFT	R314		036-14330-00	RES M/F 0805 CHIP 3K3 5%
R103		036-15220-00	RES M/F 0805 CHIP 22K 5%	R315		036-13330-00	RES M/F 0805 CHIP 330E 5%
RV103		040-05100-22	POT 10K LOG DUAL PCB MTG 6MM OD SHAFT	R316		036-14470-00	RES M/F 0805 CHIP 4K7 5%
R104		036-15100-00	RES M/F 0805 CHIP 10K 5%	R317		036-14100-00	RES M/F 0805 CHIP 1K 5%
RV104		042-05100-06	RES PRESET 10K CARBON 6MM FLAT	R318		036-12100-00	RES M/F 0805 CHIP 10E 5%
R105		036-16220-00	RES M/F 0805 CHIP 220K 5%	R319		036-14100-00	RES M/F 0805 CHIP 1K 5%
R106		036-16390-00	RES M/F 0805 CHIP 390K 5%	R320		036-13150-00	RES M/F 0805 CHIP 150E 5%
&R107	NB	036-15180-00	RES M/F 0805 CHIP 18K 5%	R321		036-12100-00	RES M/F 0805 CHIP 10E 5%
&R107	WB	036-15220-00	RES M/F 0805 CHIP 22K 5%	R322		036-12470-00	RES M/F 0805 CHIP 47E 5%
R108		036-14820-00	RES M/F 0805 CHIP 8K2 5%	R323		036-15100-00	RES M/F 0805 CHIP 10K 5%
&R109	NB	036-15150-00	RES M/F 0805 CHIP 15K 5%	R324		036-16100-00	RES M/F 0805 CHIP 100K 5%
&R109	WB	036-15150-00	RES M/F 0805 CHIP 15K 5%	R325		036-15100-00	RES M/F 0805 CHIP 10K 5%
R110		036-16100-00	RES M/F 0805 CHIP 100K 5%	R326		036-14390-00	RES M/F 0805 CHIP 3K9 5%
R111		036-14470-00	RES M/F 0805 CHIP 4K7 5%	R327		036-15470-00	RES M/F 0805 CHIP 47K 5%
&R112	NB	036-15390-00	RES M/F 0805 CHIP 39K 5%	R328		036-10000-00	RES M/F 0805 CHIP ZERO OHM
&R112	WB	036-15390-00	RES M/F 0805 CHIP 39K 5%	R329		036-15470-00	RES M/F 0805 CHIP 47K 5%
R113		036-16100-00	RES M/F 0805 CHIP 100K 5%	R330		036-13470-00	RES M/F 0805 CHIP 470E 5%
R114		036-14470-00	RES M/F 0805 CHIP 4K7 5%	R332		036-12100-00	RES M/F 0805 CHIP 10E 5%
R115		036-14270-00	RES M/F 0805 CHIP 2K7 5%	R333		036-13470-00	RES M/F 0805 CHIP 470E 5%
R116		036-13100-00	RES M/F 0805 CHIP 100E 5%	R334		036-12220-00	RES M/F 0805 CHIP 22E 5%
R117		036-15470-00	RES M/F 0805 CHIP 47K 5%	R335		036-14820-00	RES M/F 0805 CHIP 8K2 5%
R119		036-15100-00	RES M/F 0805 CHIP 10K 5%	R336		036-13220-00	RES M/F 0805 CHIP 220E 5%
R120		036-14390-00	RES M/F 0805 CHIP 3K9 5%	R337		036-13220-00	RES M/F 0805 CHIP 220E 5%
R121		036-14100-00	RES M/F 0805 CHIP 1K 5%	R338		036-12470-00	RES M/F 0805 CHIP 47E 5%
&R122	NB	036-14470-00	RES M/F 0805 CHIP 4K7 5%	R339		036-15100-00	RES M/F 0805 CHIP 10K 5%
&R122	WB	036-14820-00	RES M/F 0805 CHIP 8K2 5%	R340		036-15100-00	RES M/F 0805 CHIP 10K 5%
R123		036-14680-00	RES M/F 0805 CHIP 6K8 5%	R341		036-15220-00	RES M/F 0805 CHIP 22K 5%
R124		036-14680-00	RES M/F 0805 CHIP 6K8 5%	R342		036-15120-00	RES M/F 0805 CHIP 12K 5%
R125		036-14100-00	RES M/F 0805 CHIP 1K 5%	R343		045-05100-01	RES NTC 10K 20% 5MM DISC
&R126	NB	036-15470-00	RES M/F 0805 CHIP 47K 5%	R344		036-10000-00	RES M/F 0805 CHIP ZERO OHM
&R126	WB	036-15470-00	RES M/F 0805 CHIP 47K 5%	R345		036-13330-00	RES M/F 0805 CHIP 330E 5%
&R127	NB	036-16100-00	RES M/F 0805 CHIP 100K 5%	R346		036-15100-00	RES M/F 0805 CHIP 10K 5%
&R127	WB	036-16100-00	RES M/F 0805 CHIP 100K 5%	R347		036-14100-00	RES M/F 0805 CHIP 1K 5%
R128		036-13560-00	RES M/F 0805 CHIP 560E 5%	R348		036-12470-00	RES M/F 0805 CHIP 47E 5%
R129		036-14100-00	RES M/F 0805 CHIP 1K 5%	R349		036-12390-00	RES M/F 0805 CHIP 39E 5%
R130		036-14220-00	RES M/F 0805 CHIP 2K2 5%	R350		036-10000-00	RES M/F 0805 CHIP ZERO OHM
R131		036-14470-00	RES M/F 0805 CHIP 4K7 5%	R352		036-14270-00	RES M/F 0805 CHIP 2K7 5%
R132		036-14680-00	RES M/F 0805 CHIP 6K8 5%	R353		036-14100-00	RES M/F 0805 CHIP 1K 5%
R133		036-14120-00	RES M/F 0805 CHIP 1K2 5%	R354		036-15100-00	RES M/F 0805 CHIP 10K 5%
R134		036-15390-00	RES M/F 0805 CHIP 39K 5%	R355		036-13390-00	RES M/F 0805 CHIP 390E 5%
R135		036-14820-00	RES M/F 0805 CHIP 8K2 5%	R356		036-12100-00	RES M/F 0805 CHIP 10E 5%
R136		036-15470-00	RES M/F 0805 CHIP 47K 5%	R357		036-13820-00	RES M/F 0805 CHIP 820E 5%
R137		036-15470-00	RES M/F 0805 CHIP 47K 5%	R358		036-14220-00	RES M/F 0805 CHIP 2K2 5%
R138		036-14470-00	RES M/F 0805 CHIP 4K7 5%	&R359	NB	036-15820-00	RES M/F 0805 CHIP 82K 5%
R139		036-14470-00	RES M/F 0805 CHIP 4K7 5%	&R359	WB	036-15560-00	RES M/F 0805 CHIP 56K 5%
R140		036-14820-00	RES M/F 0805 CHIP 8K2 5%	R360		045-05100-01	RES NTC 10K 20% 5MM DISC
R141		036-15470-00	RES M/F 0805 CHIP 47K 5%	R361		036-13220-00	RES M/F 0805 CHIP 220E 5%
R142		036-15470-00	RES M/F 0805 CHIP 47K 5%	R362		036-10000-00	RES M/F 0805 CHIP ZERO OHM
R143		036-15470-00	RES M/F 0805 CHIP 47K 5%	R363		036-12100-00	RES M/F 0805 CHIP 10E 5%
R144		036-11470-00	RES M/F 0805 CHIP 4E7 10%	R364		036-15100-00	RES M/F 0805 CHIP 10K 5%
R145		036-11470-00	RES M/F 0805 CHIP 4E7 10%	R365		036-17100-00	RES M/F 0805 CHIP 1M 5%
R146		036-14100-00	RES M/F 0805 CHIP 1K 5%	R366		036-13180-00	RES M/F 0805 CHIP 180E 5%
R147		036-13150-00	RES M/F 0805 CHIP 150E 5%	R367		036-12100-00	RES M/F 0805 CHIP 10E 5%
R148		036-14100-00	RES M/F 0805 CHIP 1K 5%	R368		036-10000-00	RES M/F 0805 CHIP ZERO OHM
R149		036-13100-00	RES M/F 0805 CHIP 100E 5%	R369		045-03150-01	RES NTC 150E 0.5W 5MM DISC
R150		036-14100-00	RES M/F 0805 CHIP 1K 5%	R370		036-13470-00	RES M/F 0805 CHIP 470E 5%
R151		036-14470-00	RES M/F 0805 CHIP 4K7 5%	R371		036-12470-00	RES M/F 0805 CHIP 47E 5%
&R152	NB	036-14330-00	RES M/F 0805 CHIP 3K3 5%	R372		036-16150-00	RES M/F 0805 CHIP 150K 5%
&R152	WB	036-14470-00	RES M/F 0805 CHIP 4K7 5%	R373		036-12560-00	RES M/F 0805 CHIP 56E 5%
R153		036-15100-00	RES M/F 0805 CHIP 10K 5%	R374		036-15150-00	RES M/F 0805 CHIP 15K 5%
R154		036-13100-00	RES M/F 0805 CHIP 100E 5%	R375		036-14390-00	RES M/F 0805 CHIP 3K9 5%
R155		036-15120-00	RES M/F 0805 CHIP 12K 5%	R376		036-13470-00	RES M/F 0805 CHIP 470E 5%
R156		036-14560-00	RES M/F 0805 CHIP 5K6 5%				
R157		036-16220-00	RES M/F 0805 CHIP 220K 5%				
R158		036-14470-00	RES M/F 0805 CHIP 4K7 5%	SK1		240-04020-57	SKT 10 WAY 1ROW PCB MTG TOP ENTRY
R159		036-14470-00	RES M/F 0805 CHIP 4K7 5%	SW100		230-00010-30	SWITCH TOGGLE SPDT RT ANGLE PCB MT PARA
R160		036-14680-00	RES M/F 0805 CHIP 6K8 5%				
R161		036-16100-00	RES M/F 0805 CHIP 100K 5%	T100		053-00010-17	XFMR T4030 LINE MATCH POTCORE
R200		036-12220-00	RES M/F 0805 CHIP 22E 5%	T200		050-00016-31	COIL TAIT NO 631 455KHZ IF 7MM CAN
R201		036-14470-00	RES M/F 0805 CHIP 4K7 5%				
R203		036-14100-00	RES M/F 0805 CHIP 1K 5%	X300		274-00010-22	XTAL 44.545MHZ SPEC TE/22 HC45-U C/W TEF
				&XF300	NB	276-00010-57	FLTR XTAL 45MHZ 7.5K BW 4POLE 45N7.5BA 2

Ref	Var	IPN	Description	Ref	Var	IPN	Description
&XF300	WB	276-00010-58	FLTR XTAL 45M 15K B/W 4P 2 PCS C/W TEFLO				
&XF301	NB	276-00010-54	FLTR XTAL 45M 7K5 B/W 2P 45N7.5A C/W TEF				
&XF301	WB	276-00010-56	FLTR XTAL 45MHZ 14KHZ B/W 2 POLE 45N14AB				
&XF302	NB	276-00010-13	FLTR CER 455KHZ 9KHZ B/W CFW455G				
&XF302	WB	276-00010-14	FLTR CER 455KHZ 15KHZ B/W CFW455E				

NOTE:

LOW	= 400-440MHZ
MID	= 440-480MHZ
HI	= 480-530MHZ
NB	= 7.5KHZ IF BANDWIDTH
WB	= 15KHZ IF BANDWIDTH
1PPM	= 1PPM TCXO
2PPM	= 2PPM TCXO
2.5PPM	= 2.5PPM TCXO

(REFER TO PART B, SECTION 1.3)

T855 Mechanical & Miscellaneous Parts (220-01139-00)

IPN	Description	IPN	Description
012-04150-01	CAP CER F/THRU 1N5 NO LEAD C1-C15 On 15 Way D Range.	345-00040-09	SCREW M3*6mm CSK POZI TRUNCATED HEAD ST BZ For Final Installation Kit x2.
061-00010-20	FORMER PTFE A4M765 HELIC RESNTR Fit on FL300 x2 and FL301 x2.	345-00040-10	SCREW M3*6mm PAN POZI ST BZ Guide Skt to Float Plate x4, Rail x4, Final Installation Kit x2
062-00010-13	CAN 10MM SQ X 11mm SANWA 613 A4M1017 Fit Over Coil T200.	345-00040-20	SCREW M3*8mm BUTTON SKT HD BLACK ZINC PHOS Front Panel Mtg x4.
065-00010-13	BEAD FERRITE 7D 1.9*0.9*3.8mm STACK POLE 15 Way D Range x15.	349-00020-03	SCREW TAPTITE 4-40X1/4IN PAN POZI BZ Helical Resonator Mounting x4.
066-00010-20	SLUG BRASS A4M764 T196 HELIC RESNTR For FL300 x2 and FL301 x2.	349-00020-32	SCREW TAPTITE M3X8mm PAN POZI BZ Pcb Mounting x8, N Connector x4.
201-00030-02	WIRE #1 T/C WIRE 7/0.2mm PVC RED 2 x30mm LEDs.	349-00020-43	SCREW TAPTITE M4X12mm PAN POZI BZ Top Cover Mtg x14.
201-00030-10	WIRE #1 T/C WIRE 7/0.2mm PVC BLACK 2 x35mm LEDs.	349-00020-45	SCREW TAPTITE M4X20mm PAN POZI BZ Bottom Cover Mtg x14.
220-01139-00	PCB T855 RX	352-00010-08	NUT M3 COLD FORM HEX ST BZ D Range x2, D Range Cover x2, Vco Mtg x2.
230-00010-31	COVER LEVER FOR TOGGLE SW 230-00010-30	352-00010-29	NUT M4 NYLOC HEX Handle x2.
240-00010-55	PLUG 15 WAY D RANGE WIRE WRAP PINS PNL M	352-00010-50	NUT TRIM SCREEN 1/4 UNF SPIRE SNO 2780 For Securing FL300 x2 and FL301 x2.
240-02010-54	SKT 15WAY DRANGE PNL MTG 105 DEG C Guide Rail Assembly Component, Part of Installation Kit x1	353-00010-12	WASHER M3 SPRING BZ D Range x2, D Range Cover x2.
240-02100-06	SKT COAX N TYPE PNL MTG OPEN TERMINAL	353-00010-13	WASHER M3 SHAKEPROOF INT BZ Vco Mtg x2.
240-04020-62	SKT 2 WAY RECEP TL SHORTING LINK For PLS100, 101, 102, 103, 104, 105 & 106 x1 Each.	360-00010-40	BUSH SNAP BLACK HEYCO SB-375-4
240-04020-64	SKT JACK AN 0.98mm PCB MTG 64 WAY SIL STRIP 7 Sockets, SK300 (3), SK301(4)	362-00010-23	GASKET SIL INSULATING TO-220 CLIP MTD Q201 x1.
240-04020-65	SKT JACK PIN 1.3mm PCB MTG 64 WAY SIL STRIP	362-00010-33	GROMMET LED MTG 3mm LO CURRENT LEDS Used To Secure LEDS to Front Panel x3.
303-11168-00	CHASSIS HSINK PNTD COMPLT A1M2364 800 SERIES	365-00011-03	LABEL TEST REPORT INSIDE A4A267
303-23118-00	COVER A3M2247 D RANGE HOLE T855/7 Blanking Plate On Rear For Extra D Range Connector x1.	365-00100-03	LABEL BLANK 10.8X30MM S/A METLSD POLYES
303-50074-00	CLIP A3M2246 SPRING XSTR CLAMP T857 Q201 x1.	365-00100-20	LABEL WHITE S/A 28X11MM QUIKSTIK RW718/4
306-01010-00	FERRULE A4M948 HANDLE FXD EQUIP For Handle x2.	400-00020-05	SLEEVING 1.5MM SIL RUBBER
308-01007-00	HANDLE A4M949 FXD EQUIP	410-00010-42	PKG CARTON 60MM FXD EQUIP MODULE UEB 150
308-01047-00	HOUSING A2M2330 HELIC RESNTR COMPL T855 Fit Over FL300 x1 and FL301 x1	410-01056-00	CRTN STK#10 PRINTED 510X380X584MM
311-01015-00	KNOB SATO K34 AG 15mm & SKIRT 6mm SHFT FXDEQ Monitor Volume On Front Panel x1.	410-01076-00	PKG 340X50X20MM POLYST FOAM SL TYPE
312-01052-00	LID TOP PNTD COMPL A1M2364 800 SERIES		
312-01053-00	LID BOTTOM PNTD COMPL A1M2364 800 SERIES		
316-06368-01	PNL FRT COMPL T855 A3M2208/1 A3M2208/2		
316-85015-00	*USE 316-85015-01 PIN A4M775 LOCATING D For Securing D Range x2.		
316-85099-00	PLATE FLOAT A2M2248 DUAL D RANGE SKT BOX Guide Rail Assembly Component, Part of Installation Kit x1		
316-85100-00	PLATE FRT A2M2249 DUAL D RANGE SKT BOX Guide Rail Assembly Component, Part of Installation Kit x1		
318-01014-00	RAIL A2M2214 FOR 800 SERIES FXD EQUIP Guide Rail Assembly Component, Part of Installation Kit x2		
319-01152-00	SHIELD A3M2250 F/THRU MTG T857 Attached To D Range Plug x1.		
345-00040-08	SCREW M3*12mm PAN POZI ST BZ D Range Blanking Cover Mtg x2.		

T855 Grid Reference Index (IPN 220-01139-00)

How To Use This Grid Reference Index

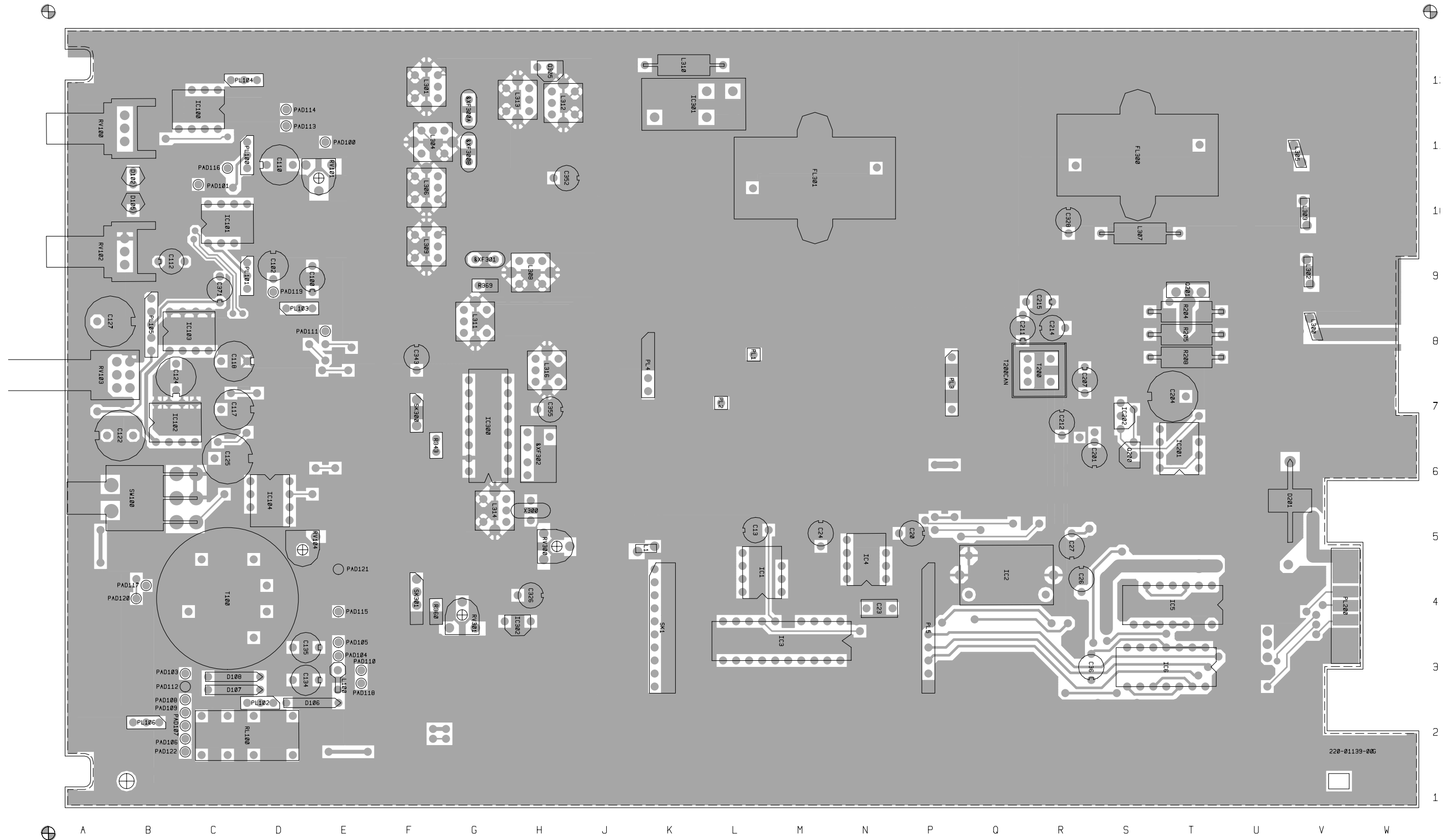
The first digit in the PCB layout reference is a "1" or "2", indicating the top or bottom side layout respectively, and the last two characters give the location of the component on that diagram.

The first digit in the circuit diagram reference is the sheet number, and the last two characters give the location of the component on that sheet.

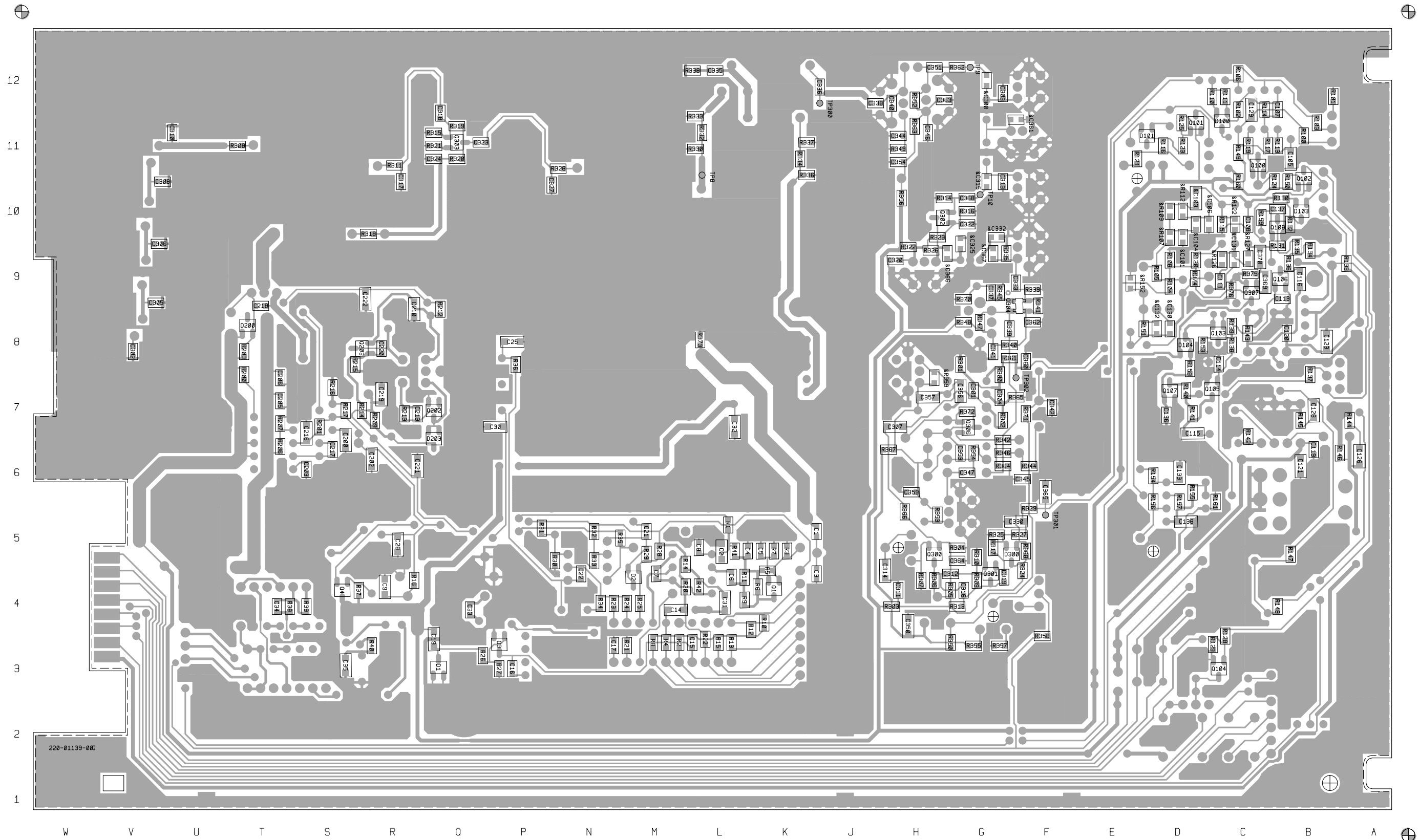
Device	PCB	Circuit	Device	PCB	Circuit	Device	PCB	Circuit	Device	PCB	Circuit
C1	2:K5	1-B4	C129	2:C12	2-E3	&C332	2:G10	4-J4	D300	2:G5	4-G2
C2	2:L5	1-B5	&C130	2:D8	2-B8	C333	2:G9	4-K4			4-G1
C3	2:K5	1-B4	&C131	2:C9	2-H6	C335	2:L12	4-K7	FL300	1:T11	4-E7
C4	2:L5	1-B5	&C132	2:D8	2-B8	C336	2:K12	4-L8	FL301	1:N11	4-H8
C5	2:K5	1-C4	C133	2:D6	2-E1	C337	2:G9	4-L4	&IC1	1:M4	1-D4
C6	2:L4	1-D5	C134	1:D3	2-R2	C338	2:J12	4-L8	=IC2	1:R5	1-B8
C7	2:M5	1-D5	C135	1:D3	2-R2	C339	2:G8	4-M5	IC3	1:N4	1-F3
C8	2:L5	1-D4	C136	2:D7	2-M6	C340	2:H12	4-M7	IC4	1:N4	1-K5
C9	2:R4	1-A8	C137	2:C10	2-L2	C341	2:G8	4-M6			1-N3
C13	1:L5	1-F4	C138	2:D5	2-C0	C342	2:F7	4-L2	IC5	1:T4	1-J8
C14	2:M4	1-F4	C200	2:S7	3-D1	C343	1:F8	4-M2			1-D7
C15	2:L3	1-G2	C201	1:S6	3-F1	C344	2:H11	4-M7			1-D7
C16	2:P3	1-G2	C202	2:R6	3-G1	C345	2:F6	4-M2			1-E7
C17	2:N3	1-H3	C203	2:S6	3-J3	C346	2:H11	4-N7			1-J8
C19	2:Q4	1-J2	C204	1:T7	3-L1	C347	2:G6	4-N4			1-K8
C20	1:P5	1-K5	C205	2:T7	3-M1	C350	2:H4	4-P2			1-L8
C21	2:M5	1-M2	C206	2:T8	3-M1	C351	2:H12	4-P8	IC6	1:T3	1-H8
C22	2:N5	1-L5	C207	1:R7	3-N6	C352	1:H11	4-P7			1-F8
C23	1:N4	1-L5	C210	2:R9	3-G6	C353	2:G6	4-P5			1-F7
C24	1:M5	1-P4	C211	1:Q8	3-G6	C354	2:H11	4-P7	IC100	1:C12	2-F3
C25	2:P8	1-M5	C212	1:R7	3-L5	C355	1:H7	4-N6			2-B2
C26	1:R4	1-Q8	C213	2:R7	3-J6	C356	2:G7	4-Q5			2-E1
C27	1:R5	1-Q7	C214	1:R8	3-H6	C357	2:H7	4-Q6	IC101	1:C10	2-R6
C28	2:R5	1-R7	C215	1:R9	3-E8	C359	2:H6	4-R6			2-F7
C30	2:P7	1-R8	C216	2:S7	3-H1	C360	2:F8	4-R4			2-G7
C31	2:L4	1-D5	C217	2:S6	3-J2	&C361	2:G11	4-C4	IC102	1:B7	2-P7
C32	2:L7	1-Q5	C218	2:T9	3-K3	C362	2:F8	4-K5	IC103	1:B8	2-N2
C33	2:Q4	1-C7	C219	2:R7	3-N6	C363	2:H12	4-N7	IC104	1:D6	2-E0
C34	2:T4	1-C8	C220	2:R8	3-G6	C364	2:G5	4-C1			2-D0
C35	2:S3	1-E9	C221	2:R6	3-M6	C365	2:F6	4-J2			2-B0
C36	1:S3	1-E9	C222	2:R9	3-F8	&C366	2:H9	4-H4	IC201	1:T6	3-H3
C100	1:E9	2-C8	&C300	2:G12	4-A4	&C367	2:G9	4-J4			3-H1
&C101	2:D10	2-D7	C301	2:G7	4-A2	C368	2:G10	4-F4			3-R0
C102	1:D9	2-D8	C302	2:V8	4-A7	C369	2:C9	2-J9	IC202	1:S7	3-E1
&C103	2:D10	2-E7	C303	2:G12	4-B4	C370	2:C9	2-H9	IC300	1:H6	4-B2
&C104	2:D10	2-E7	C304	2:G7	4-B2	C371	1:C9	2-J8			4-N5
C105	2:B11	2-D2	C305	2:V9	4-B7	DUMMY	0:B1				4-Q4
&C106	2:D10	2-E7	C306	2:V10	4-C7	D1	2:Q3	1-K2	IC301	1:L12	4-J8
C107	2:C12	2-F1	C307	2:H7	4-C1			1-K2	IC302	1:H4	4-N2
C108	2:C10	2-R6	C308	2:V11	4-C7	D2	2:M4	1-M3	L1	1:K5	1-B4
C110	1:D11	2-G5	C310	2:U11	4-D7			1-L3	L100	1:E3	2-K2
C111	2:C9	2-H6	C311	2:H4	4-D3	D100	2:C11	2-D2	L300	1:V8	4-B7
C112	1:B9	2-J8	C312	2:H5	4-E2			2-D2	L301	1:F12	4-B4
C113	2:B9	2-M2	C313	2:G11	4-E4	D101	2:E11	2-E4	L302	1:V9	4-B7
C114	2:C8	2-M5	C314	2:J5	4-E0			2-E4	L303	1:V10	4-C7
C115	2:D7	2-N7	&C315	2:G11	4-E4	D102	1:B11	2-H2	L304	1:F11	4-C4
C116	2:B9	2-M3	C316	2:G4	4-E2	D103	2:B10	2-J2	L305	1:V11	4-D7
C117	1:C7	2-P7	C317	2:R11	4-E7			2-H2	L306	1:F10	4-E4
C118	1:C8	2-N2	C318	2:Q12	4-F7	D104	2:D8	2-J4	L307	1:S10	4-F8
C119	2:B6	2-Q8	C319	2:G4	4-F2			2-J5	L308	1:H9	4-G5
C120	2:B8	2-P4	C320	2:H9	4-F5	D105	1:B10	2-K1	L309	1:F10	4-J4
C121	2:B6	2-Q8	C322	2:G10	4-G4	D106	1:E3	2-L1	L310	1:K12	4-L8
C122	1:B7	2-Q7	C323	2:Q11	4-G8	D107	1:D3	2-L0	L311	1:G8	4-L6
C123	2:B8	2-P4	C324	2:Q11	4-G8	D108	1:D3	2-L0	L312	1:H12	4-M7
C124	1:B8	2-P3	&C325	2:G10	4-H4	D200	2:T8	3-K3	L313	1:H12	4-N8
C125	1:C6	2-R8	C326	1:H4	4-G3			3-K3	L314	1:G5	4-M5
C126	2:A6	2-R7	C327	2:P10	4-G7	D201	1:V6	3-C7	L316	1:H8	4-Q5
C127	1:A8	2-P4	C328	1:R10	4-G8	D203	2:Q7	3-L7	PAD100	1:E11	2-A4
C128	2:B7	2-P2	C330	2:G5	4-H2			3-L6	PAD101	1:C10	2-A3

Device	PCB	Circuit	Device	PCB	Circuit	Device	PCB	Circuit	Device	PCB	Circuit
PAD103	1:C3	2-L0			3-B6	R103	2:B11	2-B2	RV300	1:H5	4-E1
PAD104	1:E3	2-R1			3-B6	RV103	1:B8	2-M7	R301	2:G8	4-A2
PAD105	1:E3	2-R0			3-B8	R104	2:D9	2-C9	RV301	1:G4	4-Q2
PAD106	1:C2	2-P1			3-B7	RV104	1:D5	2-C0	R302	2:G7	4-B2
PAD107	1:C2	2-P0	Q1	2:K4	1-C4	R105	2:D9	2-C8	R303	2:H4	4-D3
PAD108	1:C3	2-Q1	Q3	2:P3	1-J2	R106	2:C12	2-C2	R304	2:G5	4-D1
PAD109	1:C2	2-Q0	Q4	2:S4	1-Q9	&R107	2:D10	2-D8	R305	2:H4	4-D2
PAD110	1:E3	2-A9	Q100	2:C11	2-G2	R108	2:D9	2-D8	R306	2:H4	4-D2
PAD111	1:E8	2-A8	Q101	2:D11	2-H4	&R109	2:D10	2-D8	R307	2:H4	4-D1
PAD112	1:C3	2-A5	Q102	2:B11	2-H2	R110	2:D12	2-D2	R308	2:T11	4-D7
PAD113	1:D11	2-A4	Q103	2:C8	2-J4	R111	2:C12	2-D2	R309	2:G4	4-E2
PAD114	1:D12	2-A1	Q104	2:C3	2-K0	&R112	2:D10	2-E8	R310	2:G5	4-E1
PAD115	1:E4	2-A1	Q105	2:D7	2-N6	R113	2:C11	2-E2	R311	2:R11	4-E7
PAD116	1:C11	2-G2	Q106	2:B9	2-M2	R114	2:C12	2-F1	R313	2:G4	4-E3
PAD117	1:B4	2-Q3	Q107	2:D7	2-M6	R115	2:C10	2-G6	R314	2:H10	4-F4
PAD118	1:E3	2-A8	Q108	2:C10	2-L2	R116	2:D11	2-F4	R315	2:Q11	4-F7
PAD119	1:D9	2-H9	Q200	1:S6	3-K1	R117	2:C11	2-F2	R316	2:G10	4-F4
PAD120	1:B4	2-L8	Q201	1:T9	3-L2	R119	2:C11	2-F2	R317	2:G5	4-F2
PAD121	1:E5	2-A5	Q202	2:Q7	3-K6	R120	2:D9	2-F8	R318	2:R10	4-F8
PAD122	1:C2	2-K9	Q203	2:S8	3-H7	R121	2:E11	2-F5	R319	2:Q11	4-F8
PL1	1:L8	1-A4	Q300	2:H5	4-D1	&R122	2:C10	2-G7	R320	2:Q11	4-G8
PL2	1:L7	1-R5	Q301	2:G5	4-E2	R123	2:D11	2-G4	R321	2:Q11	4-G7
PL3	1:P8	1-R6	Q302	2:H10	4-F4	R124	2:C11	2-G3	R322	2:H10	4-G6
		1-R7	Q303	2:Q11	4-G7	R125	2:D11	2-G5	R323	2:H10	4-G5
		1-R6	Q304	2:F9	4-L4	&R126	2:C9	2-H7	R324	2:F5	4-G3
		1-R5	Q305	1:H12	4-N8	&R127	2:C9	2-H7	R325	2:G5	4-G2
		1-R9	Q306	2:G7	4-P4	R128	2:C4	2-H1	R326	2:H9	4-G5
PL4	1:K8	1-R3	Q307	2:C9	2-J9	R129	2:C3	2-H0	R327	2:F5	4-G2
		1-R4	R1	2:L5	1-B6	R130	2:B10	2-J4	R328	2:P11	4-H8
		1-R4	R2	2:M3	1-B1	R131	2:C10	2-J7	R329	2:F6	4-H2
		1-R3	R3	2:K5	1-B4	R132	2:B10	2-J2	R330	2:L11	4-H7
		1-R4	R4	2:M3	1-B1	R133	2:A9	2-K1	R332	2:L11	4-J8
PL5	1:P5	1-R0	R5	2:K5	1-C5	R134	2:B9	2-K3	R333	2:L12	4-J7
		1-R0	R6	2:K4	1-C5	R135	2:B10	2-L3	R334	2:K11	4-J8
		1-R1	R7	2:K5	1-C4	R136	2:B9	2-M3	R335	2:G9	4-K4
		1-R2	R8	2:M3	1-C1	R137	2:B8	2-M7	R336	2:K11	4-K9
		1-R1	R9	2:L4	1-C5	R138	2:C8	2-M4	R337	2:K11	4-K8
		1-R2	R10	2:K4	1-C1	R139	2:C8	2-M3	R338	2:L12	4-K7
		1-R3	R11	2:L4	1-C5	R140	2:D7	2-M7	R339	2:F9	4-K4
		1-R2	R12	2:L4	1-D1	R141	2:D7	2-N7	R340	2:G8	4-K6
		1-R2	R13	2:L3	1-D1	R142	2:C7	2-N7	R341	2:F9	4-K5
		1-R1	R14	2:M5	1-D6	R143	2:C8	2-N3	R342	2:G7	4-L3
PL100	1:D11	2-H3	R15	2:L3	1-D1	R144	2:A7	2-R6	R343	1:F7	4-L2
		2-H3	R16	2:R4	1-B9	R145	2:B7	2-P2	R344	2:F6	4-L1
		2-H3	R20	2:M4	1-G5	R146	2:B6	2-R7	R345	2:G9	4-L4
PL101	1:D9	2-H7	R21	2:M3	1-H3	R147	2:B5	2-Q3	R346	2:G6	4-L3
		2-H6	R22	2:L4	1-H4	R148	2:C4	2-Q3	R347	2:G8	4-L6
		2-H7	R23	2:N4	1-J4	R149	2:C11	2-F3	R348	2:G8	4-M6
PL102	1:D3	2-L0	R24	2:M4	1-J3	R150	2:B11	2-G3	R349	2:H11	4-M7
		2-L1	R25	2:M4	1-K3	R151	2:E8	2-B8	R350	2:H3	4-N2
		2-L1	R26	2:Q3	1-J2	&R152	2:E9	2-B7	R352	2:H12	4-N8
PL103	1:D9	2-B9	R27	2:P3	1-J2	R153	2:D8	2-J3	R353	2:H5	4-N6
		2-B8	R28	2:M5	1-L4	R154	2:D6	2-C1	R354	2:G6	4-N4
		2-B8	R29	2:M5	1-M3	R155	2:D6	2-C1	R355	2:G3	4-P2
PL104	1:C12	2-C1	R30	2:P5	1-J5	R156	2:D6	2-C0	R356	2:H10	4-P8
		2-C1	R31	2:P5	1-K6	R157	2:D6	2-C1	R357	2:G3	4-Q2
		2-C2	R32	2:N5	1-M4	R158	2:D8	2-L6	R358	2:F4	4-Q1
PL105	1:B9	2-K7	R33	2:N5	1-M2	R159	2:C10	2-L3	&R359	2:H8	4-R6
		2-K7	R34	2:N4	1-L5	R160	2:C11	2-G2	R360	1:F4	4-R1
		2-K7	R35	2:N5	1-N4	R161	2:C6	2-A0	R361	2:G8	4-R4
		2-K7	R36	2:P8	1-M5	R200	2:T8	3-D2	R362	2:G12	4-A5
		2-K8	R37	2:S4	1-Q8	R201	2:S7	3-G1	R363	2:H11	4-P7
PL106	1:B2	2-L8	R38	2:T4	1-C7	R203	2:T8	3-K3	R364	2:G6	4-P3
		2-L9	R39	2:S4	1-D8	R204	1:U9	3-K2	R365	2:G7	4-B2
		2-L8	R40	2:R3	1-D9	R205	1:U8	3-K3	R366	2:H5	4-C1
PL200	1:V5	3-B7	R41	2:L5	1-B5	R206	2:T6	3-L1	R367	2:H6	4-R6
		3-B6	R42	2:L4	1-D6	R207	2:T7	3-L0	R368	2:F5	4-F1
		3-B8	R100	2:B11	2-A3	R208	1:U8	3-L3	R369	1:G9	4-L4
		3-B7	RL100	1:D2	2-K1	R209	2:R7	3-M7	R370	2:G9	4-M4
		3-B6			2-N1	R212	2:Q9	3-G8	R371	2:F7	4-M2
		3-B5			2-N0	R213	2:R7	3-J6	R372	2:G7	4-Q5
		3-B5	RV100	1:B11	2-A2	R214	2:S7	3-J5	R373	2:L8	1-A4
		3-B9	R101	2:B12	2-A2	R215	2:S8	3-H5	R374	2:D9	2-H9
		3-B9	RV101	1:E11	2-F5	R216	2:S7	3-E0	R375	2:C9	2-J8
		3-B8	R102	2:C12	2-B1	R217	2:S7	3-F1	R376	2:C9	2-J8
		3-B8	RV102	1:B9	2-K3	R300	2:G8	4-A2	SK1	1:K5	1-A1

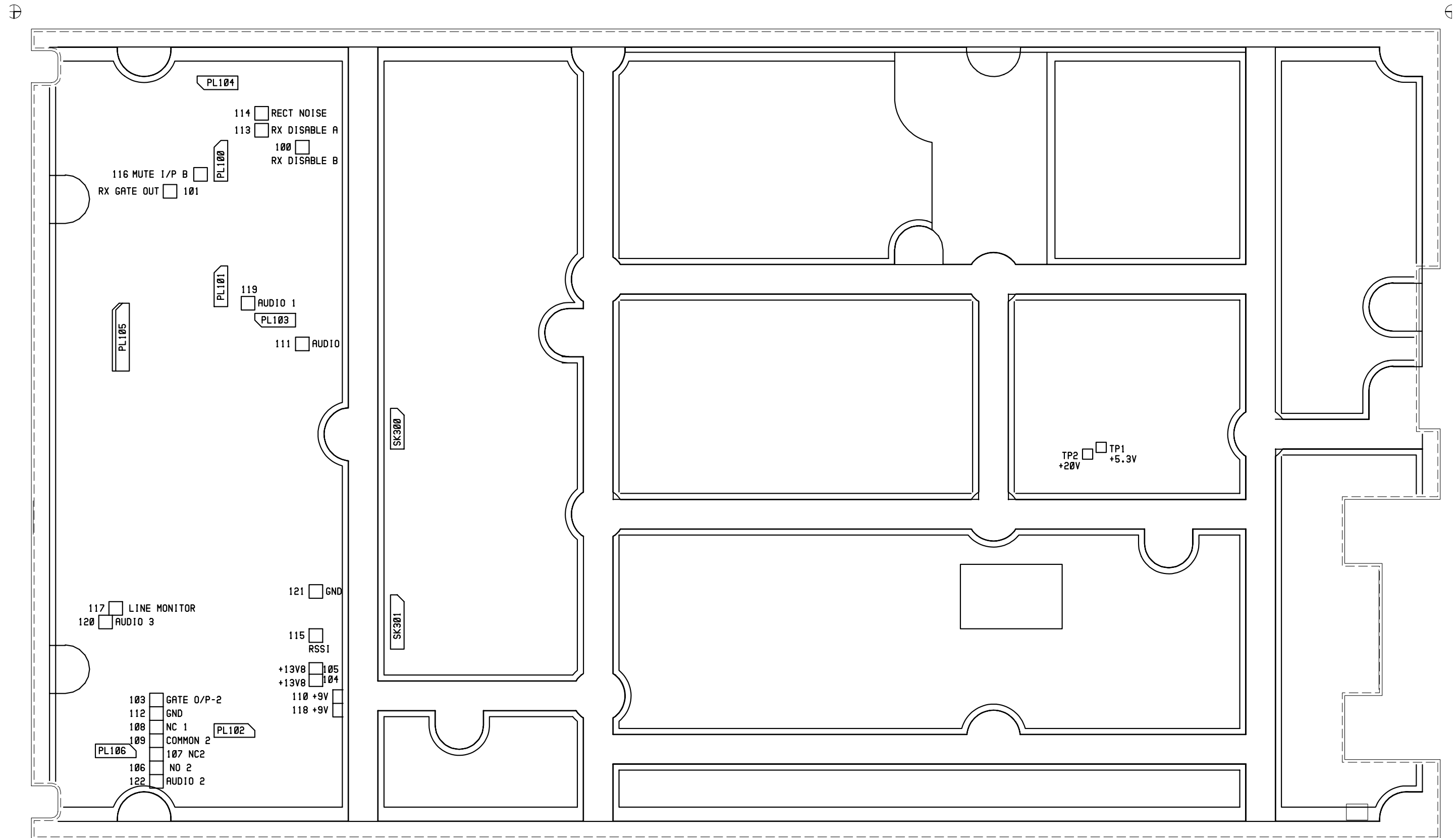
<u>Device</u>	<u>PCB</u>	<u>Circuit</u>	<u>Device</u>	<u>PCB</u>	<u>Circuit</u>	<u>Device</u>	<u>PCB</u>	<u>Circuit</u>	<u>Device</u>	<u>PCB</u>	<u>Circuit</u>
		1-A3									
		1-A3									
		1-A3									
		1-A2									
		1-A2									
		1-A2									
		1-A2									
		1-A1									
		1-A1									
SK300	1:F7	4-L0									
		4-M0									
		4-L0									
SK301	1:F4	4-R0									
		4-R0									
		4-Q0									
		4-Q0									
SW100	1:B6	2-A6									
T100	1:C4	2-Q2									
T200	1:R8	3-K7									
T200CAN	1:R8										
TP8	2:L11	4-H8									
TP9	2:G12	4-A4									
TP10	2:G10	4-E5									
TP300	2:K12	4-L8									
TP301	2:F5	4-J2									
TP302	2:G8	4-R5									
X300	1:H5	4-M6									
&XF300A	1:G12	4-C4									
&XF300B	1:G11	4-D4									
&XF301	1:G9	4-H4									
&XF302	1:H7	4-P5									



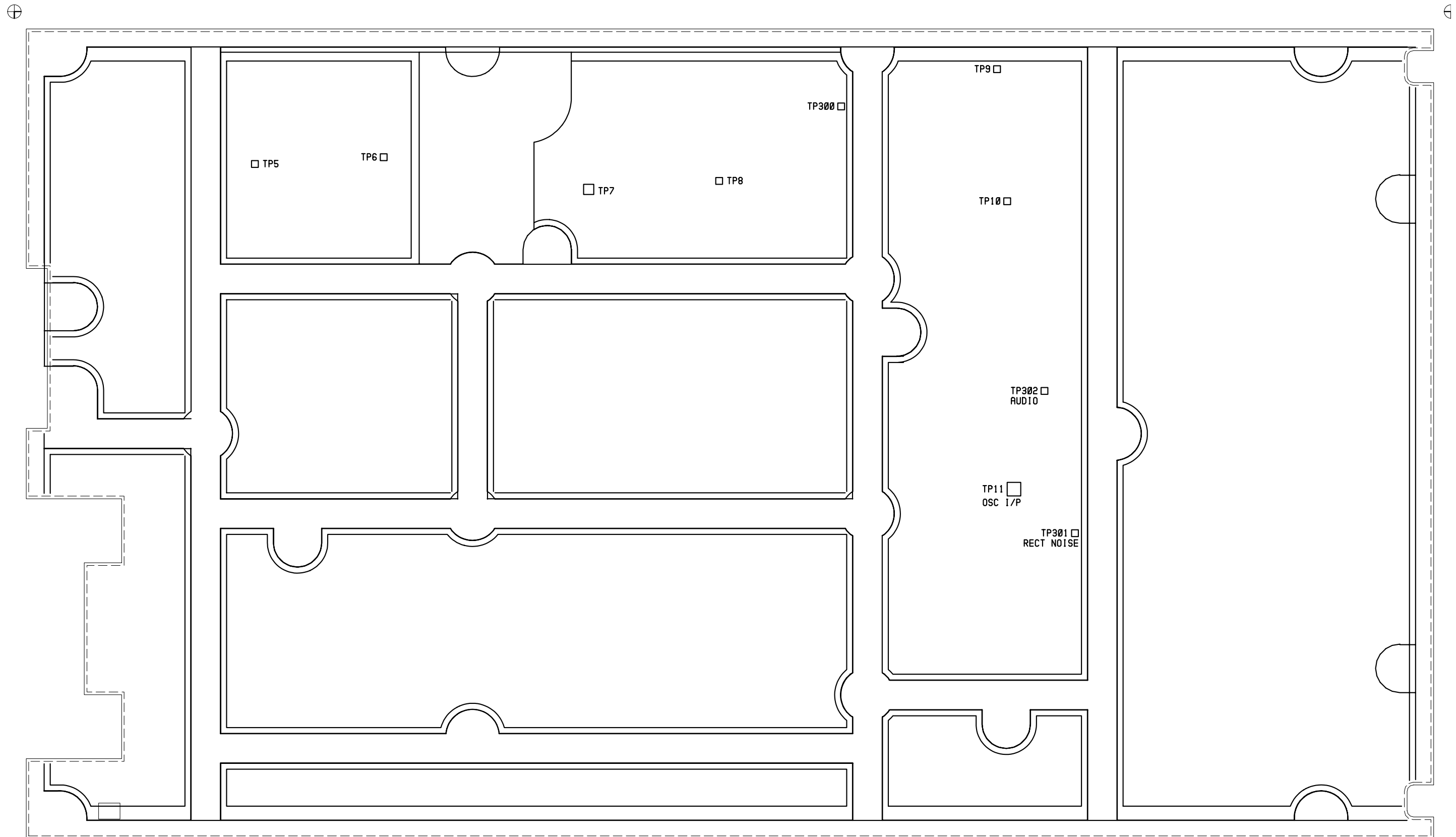
T855 PCB Layout
 Top Side
 220-01139-00



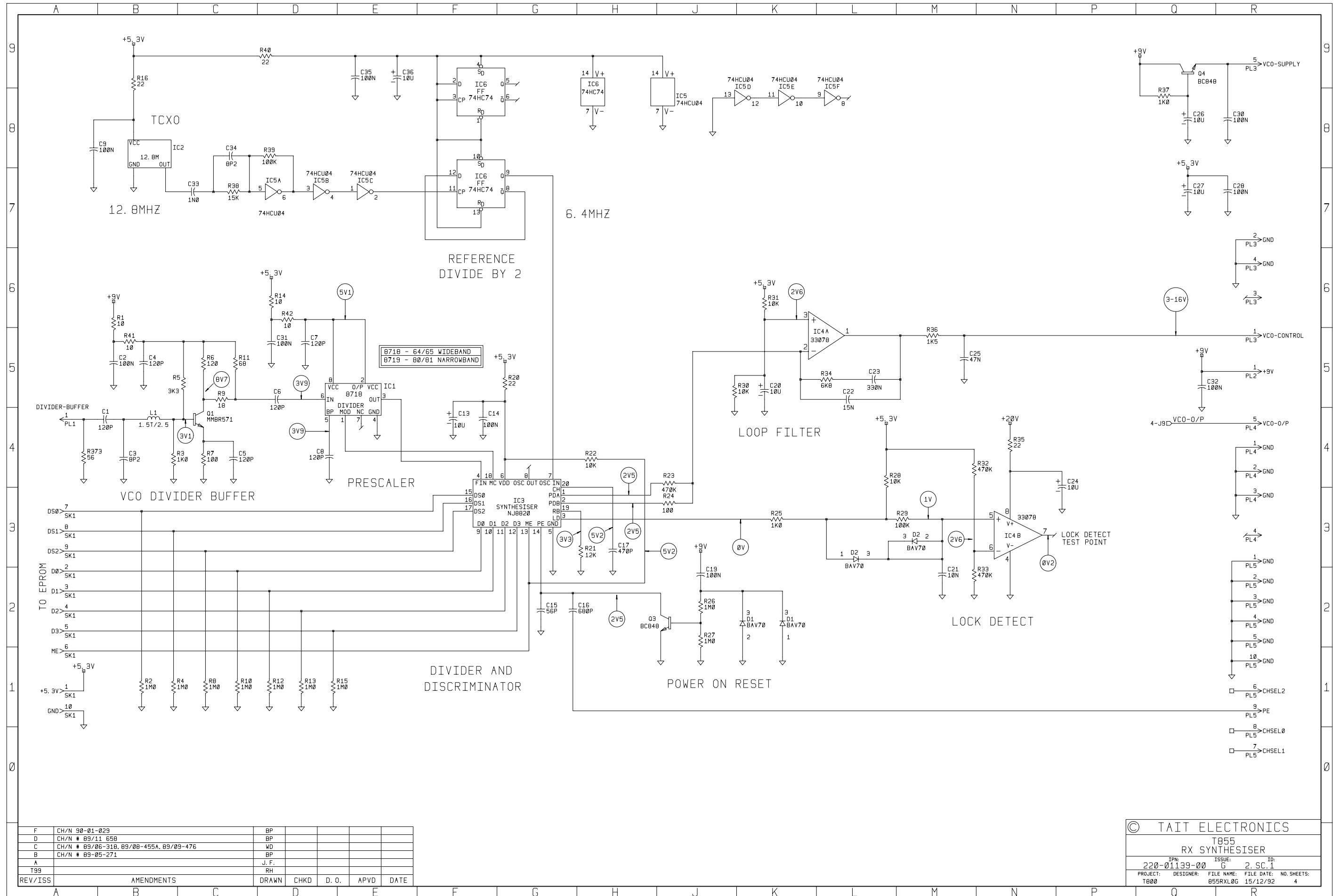
T855 PCB Layout
Bottom Side
220-01139-00



T855 Test Points & Options
Top Side
220-01139-00

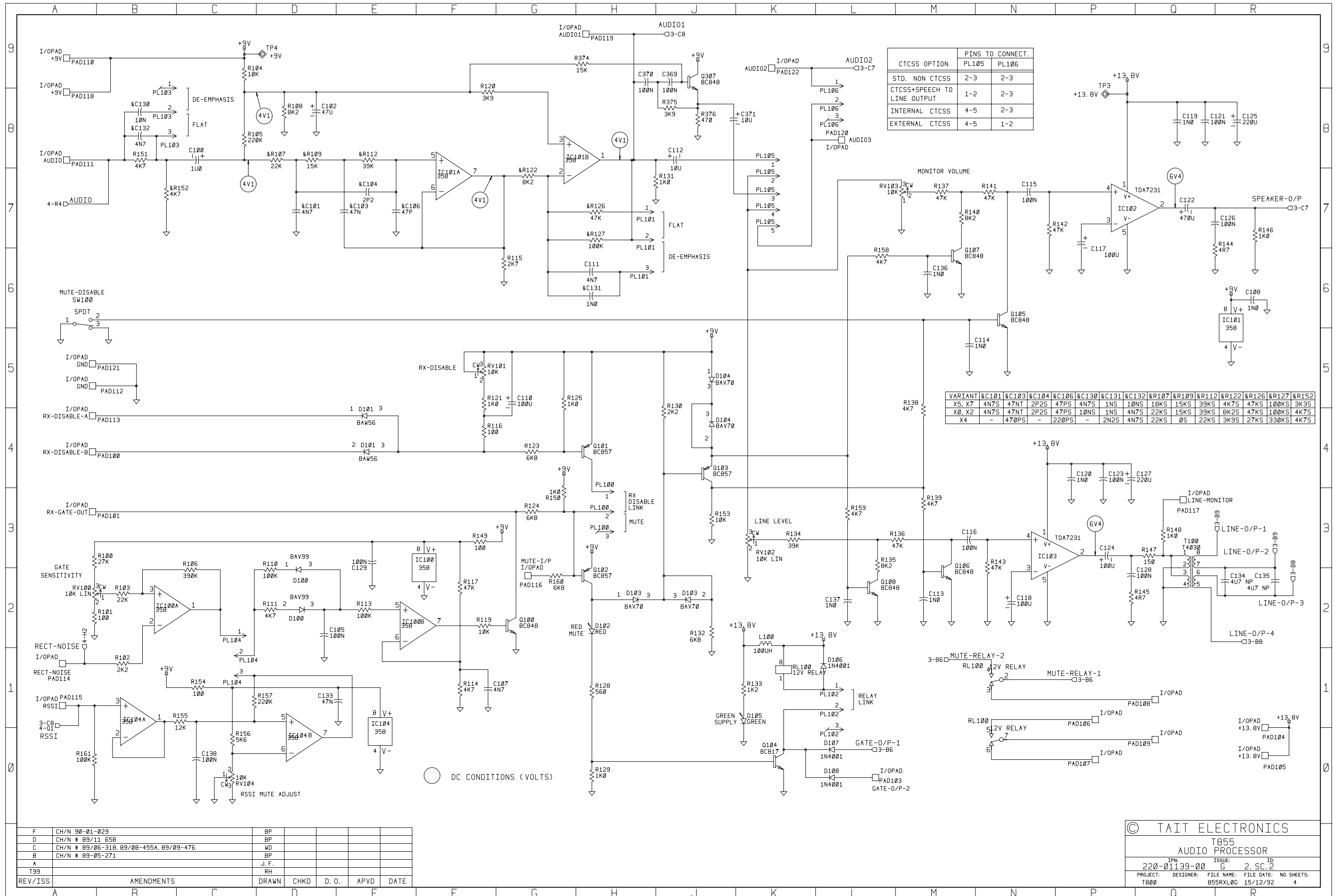


*T855 Test Points & Options
Bottom Side
220-01139-00*



F	CH/N 90-01-029	BP			
D	CH/N # 89/11 658	BP			
C	CH/N # 89/06-318, 89/08-455A, 89/09-476	WD			
B	CH/N # 89-05-271	BP			
A		J. F.			
T99		RH			
REV/ISS	AMENDMENTS	DRAWN	CHKD	D. O.	APVD
					DATE

© TAIT ELECTRONICS			
T855 RX SYNTHESISER			
IPN: 220-01139-00	ISSUE: 0	ID: 2	SC: 1
PROJECT: T800	DESIGNER: 055RXL0G	FILE DATE: 15/12/92	NO. SHEETS: 4

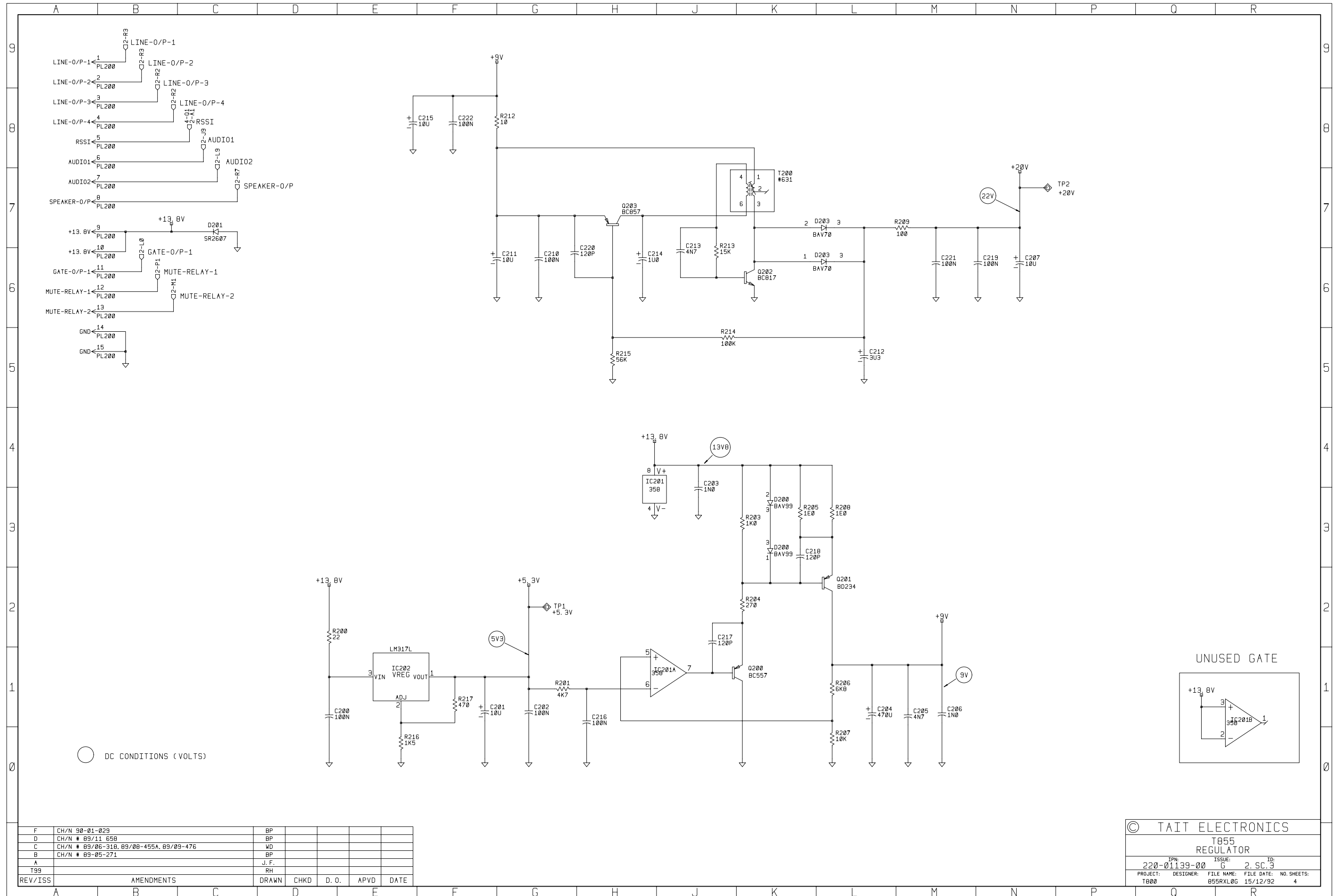


F	CH/N 90-01-029	BP				
D	CH/N # 89/11 658	BP				
C	CH/N # 89/06-318, 89/08-455A, 89/09-476	WD				
B	CH/N # 89-05-271	BP				
A		J. F.				
T99		RH				
REV/ISS	AMENDMENTS	DRAWN	CHKD	D. O.	APVD	DATE

© TAIT ELECTRONICS

T855
AUDIO PROCESSOR

IPN: 220-01139-00
ISSUE: G 2 SC. 2
PROJECT: T800 DESIGNER: FILE NAME: FILE DATE: NO. SHEETS: 4



F	CH/N 90-01-029	BP			
D	CH/N # 89/11 658	BP			
C	CH/N # 89/06-318, 89/08-455A, 89/09-476	WD			
B	CH/N # 89-05-271	BP			
A		J. F.			
T99		RH			
REV/ISS	AMENDMENTS	DRAWN	CHKD	D. O.	APVD
					DATE

© TAIT ELECTRONICS			
T855 REGULATOR			
IPN: 220-01139-00	ISSUE: 0	ID: 2	SC: 3
PROJECT: T800	DESIGNER: 055RXL0G	FILE DATE: 15/12/92	NO. SHEETS: 4

T855 Parts List (IPN 220-01139-02)

How To Use This Parts List

The components listed in this parts list are divided into two main types: those with a circuit reference (e.g. C2, D1, R121, etc) and those without (miscellaneous and mechanical).

Those with a circuit reference are grouped in alphabetical order and then in numerical order within each group. Each component entry comprises three or four columns: the circuit reference, variant (if applicable), IPN and description. A number in the variant column indicates that this is a variant component which is fitted only to the product type listed.

The miscellaneous and mechanical section lists the variant and common parts in IPN order.

Parts List Amendments

C143 Added to the audio processor circuitry to de-couple the +9V supply to prevent de-sensing of the Rx by CTCSS (positive to +9V, negative to ground). Fit this capacitor as close as possible to the 9V supply point pads. PCB layout grid reference 1:E6 (94/07-331)

R131 Changed from 4K7 (036-14470-00) to 1K (95/09-7075).

&XF302 276-00010-76 added to create Mid Band Rx for Czech Republic (95/08-7043).

L316 Changed from Coil No 655 (050-00016-55) to Coil No 631. Less susceptible to mechanical vibration (96/10-7176).

Ref	Var	IPN	Description	Ref	Var	IPN	Description
C1		015-23120-01	CAP CER 0805 CHIP 120P 5% NPO 50V	C113		015-24100-08	CAP CER 0805 CHIP 1N 10% X7R 50V
C2		015-06100-08	CAP CER 1206 CHIP 100N 10% X7R 50V	C114		015-24100-08	CAP CER 0805 CHIP 1N 10% X7R 50V
C3		015-21820-01	CAP CER 0805 CHIP 8P2 +/-0.25P NPO 50V	C115		015-06100-08	CAP CER 1206 CHIP 100N 10% X7R 50V
C4		015-23120-01	CAP CER 0805 CHIP 120P 5% NPO 50V	C116		015-06100-08	CAP CER 1206 CHIP 100N 10% X7R 50V
C5		015-23120-01	CAP CER 0805 CHIP 120P 5% NPO 50V	C117		020-09100-03	CAP ELECT RADL 100M 16V 8X11MM
C6		015-23120-01	CAP CER 0805 CHIP 120P 5% NPO 50V	C118		020-09100-03	CAP ELECT RADL 100M 16V 8X11MM
C7		015-23120-01	CAP CER 0805 CHIP 120P 5% NPO 50V	C119		015-24100-08	CAP CER 0805 CHIP 1N 10% X7R 50V
C8		015-23120-01	CAP CER 0805 CHIP 120P 5% NPO 50V	C120		015-24100-08	CAP CER 0805 CHIP 1N 10% X7R 50V
C9		015-06100-08	CAP CER 1206 CHIP 100N 10% X7R 50V	C121		015-06100-08	CAP CER 1206 CHIP 100N 10% X7R 50V
C13		020-58100-03	CAP ELECT AI RDL 10M 50V 5X11MM	C122		020-09470-07	CAP 470M 16V 20% ELEC VERT 8*20 3.5MM LO-ES
C14		015-06100-08	CAP CER 1206 CHIP 100N 10% X7R 50V	C123		015-06100-08	CAP CER 1206 CHIP 100N 10% X7R 50V
C15		015-22560-01	CAP CER 0805 CHIP 56P 5% NPO 50V	C124		020-09100-03	CAP ELECT RADL 100M 16V 8X11MM
C16		015-23680-08	CAP CER 0805 CHIP 680P 10% X7R 50V	C125		020-09220-01	CAP ELECT RADL 220M 16V 10X12.5MM
C17		015-23470-08	CAP CER 0805 CHIP 470P 10% X7R 50V	C126		015-06100-08	CAP CER 1206 CHIP 100N 10% X7R 50V
C19		015-06100-08	CAP CER 1206 CHIP 100N 10% X7R 50V	C127		020-09220-01	CAP ELECT RADL 220M 16V 10X12.5MM
C20		020-58100-03	CAP ELECT AI RDL 10M 50V 5X11MM	C128		015-06100-08	CAP CER 1206 CHIP 100N 10% X7R 50V
C21		015-25100-08	CAP CER 0805 CHIP 10N 10% X7R 50V	C129		015-06100-08	CAP CER 1206 CHIP 100N 10% X7R 50V
C22		015-25150-08	CAP CER 0805 CHIP 15N 10% X7R 50V	&C130	NB	015-24470-08	CAP CER 0805 CHIP 4N7 10% X7R 50V
C23		022-06330-03	CAP METAL POLYES 330N 10% 50V 5MM L/S	&C130	MB	015-25100-08	CAP CER 0805 CHIP 10N 10% X7R 50V
C24		020-58100-03	CAP ELECT AI RDL 10M 50V 5X11MM	&C130	WB	015-25100-08	CAP CER 0805 CHIP 10N 10% X7R 50V
C25		015-05470-08	CAP CER 1206 CHIP 47N 10% X7R 50V	&C130	UWB		NOT FITTED
C26		025-08100-02	CAP TANT BEAD 10M 10% 16V	&C131	NB	015-24100-08	CAP CER 0805 CHIP 1N 10% X7R 50V
C27		025-08100-02	CAP TANT BEAD 10M 10% 16V	&C131	MB	015-24100-08	CAP CER 0805 CHIP 1N 10% X7R 50V
C28		015-06100-08	CAP CER 1206 CHIP 100N 10% X7R 50V	&C131	WB	015-24100-08	CAP CER 0805 CHIP 1N 10% X7R 50V
C30		015-06100-08	CAP CER 1206 CHIP 100N 10% X7R 50V	&C131	UWB	015-24220-08	CAP CER 0805 CHIP 2N2 10% X7R 50V
C31		015-06100-08	CAP CER 1206 CHIP 100N 10% X7R 50V	&C132	NB	015-25100-08	CAP CER 0805 CHIP 10N 10% X7R 50V
C32		015-06100-08	CAP CER 1206 CHIP 100N 10% X7R 50V	&C132	MB	015-24470-08	CAP CER 0805 CHIP 4N7 10% X7R 50V
C33		015-24100-08	CAP CER 0805 CHIP 1N 10% X7R 50V	&C132	WB	015-24470-08	CAP CER 0805 CHIP 4N7 10% X7R 50V
C34		015-21820-01	CAP CER 0805 CHIP 8P2 +/-0.25P NPO 50V	&C132	UWB	015-24470-08	CAP CER 0805 CHIP 4N7 10% X7R 50V
C35		015-06100-08	CAP CER 1206 CHIP 100N 10% X7R 50V	C133		015-05470-08	CAP CER 1206 CHIP 47N 10% X7R 50V
C36		025-08100-02	CAP TANT BEAD 10M 10% 16V	C134		020-07470-92	CAP BI-POLAR RADL 4M7 50V 6X11MM 5MM L/S
C100		020-57100-02	CAP ELECT AI RDL 1M 50V 5X11MM	C135		020-07470-92	CAP BI-POLAR RADL 4M7 50V 6X11MM 5MM L/S
&C101	NB	015-24470-08	CAP CER 0805 CHIP 4N7 10% X7R 50V	C136		015-24100-08	CAP CER 0805 CHIP 1N 10% X7R 50V
&C101	MB	015-24470-08	CAP CER 0805 CHIP 4N7 10% X7R 50V	C137		015-24100-08	CAP CER 0805 CHIP 1N 10% X7R 50V
&C101	WB	015-24470-08	CAP CER 0805 CHIP 4N7 10% X7R 50V	C138		015-06100-08	CAP CER 1206 CHIP 100N 10% X7R 50V
&C101	UWB		NOT FITTED	C169		015-06100-08	CAP CER 1206 CHIP 100N 10% X7R 50V
C102		020-58470-02	CAP ELECT AI RDL 47M 16V 6X11MM	C170		015-06100-08	CAP CER 1206 CHIP 100N 10% X7R 50V
&C103	NB	015-05470-08	CAP CER 1206 CHIP 47N 10% X7R 50V	C171		020-58100-03	CAP ELECT AI RDL 10M 50V 5X11MM
&C103	MB	015-05470-08	CAP CER 1206 CHIP 47N 10% X7R 50V	C200		015-06100-08	CAP CER 1206 CHIP 100N 10% X7R 50V
&C103	WB	015-05470-08	CAP CER 1206 CHIP 47N 10% X7R 50V	C201		020-58100-03	CAP ELECT AI RDL 10M 50V 5X11MM
&C103	UWB	015-23470-08	CAP CER 0805 CHIP 470P 10% X7R 50V	C202		015-06100-08	CAP CER 1206 CHIP 100N 10% X7R 50V
&C104	NB	015-21220-01	CAP CER 0805 CHIP 2P2 +/-0.25P NPO 50V	C203		015-24100-08	CAP CER 0805 CHIP 1N 10% X7R 50V
&C104	MB	015-21220-01	CAP CER 0805 CHIP 2P2 +/-0.25P NPO 50V	C204		020-09470-07	CAP 470M 16V 20% ELEC VERT 8*20 3.5MM LO-E
&C104	WB	015-21220-01	CAP CER 0805 CHIP 2P2 +/-0.25P NPO 50V	C205		015-24470-08	CAP CER 0805 CHIP 4N7 10% X7R 50V
&C104	UWB		NOT FITTED	C206		015-24100-08	CAP CER 0805 CHIP 1N 10% X7R 50V
C105		015-06100-08	CAP CER 1206 CHIP 100N 10% X7R 50V	C207		020-58100-03	CAP ELECT AI RDL 10M 50V 5X11MM
&C106	NB	015-22470-01	CAP CER 0805 CHIP 47P 5% NPO 50V	C210		015-06100-08	CAP CER 1206 CHIP 100N 10% X7R 50V
&C106	MB	015-22470-01	CAP CER 0805 CHIP 47P 5% NPO 50V	C211		025-08100-02	CAP TANT BEAD 10M 10% 16V
&C106	WB	015-22470-01	CAP CER 0805 CHIP 47P 5% NPO 50V	C212		025-07330-01	CAP TANT BEAD 3M3 35V
&C106	UWB	015-23220-01	CAP CER 0805 CHIP 220P 5% NPO 50V	C213		015-24470-08	CAP CER 0805 CHIP 4N7 10% X7R 50V
C107		015-24470-08	CAP CER 0805 CHIP 4N7 10% X7R 50V	C214		020-57100-02	CAP ELECT AI RDL 1M 50V 5X11MM
C108		015-24100-08	CAP CER 0805 CHIP 1N 10% X7R 50V	C215		020-58100-03	CAP ELECT AI RDL 10M 50V 5X11MM
C110		020-09100-03	CAP ELECT RADL 100M 16V 8X11MM	C216		015-06100-08	CAP CER 1206 CHIP 100N 10% X7R 50V
C111		015-24470-08	CAP CER 0805 CHIP 4N7 10% X7R 50V	C217		015-23120-01	CAP CER 0805 CHIP 120P 5% NPO 50V
C112		020-58100-03	CAP ELECT AI RDL 10M 50V 5X11MM	C218		015-23120-01	CAP CER 0805 CHIP 120P 5% NPO 50V

Ref	Var	IPN	Description	Ref	Var	IPN	Description
C219		015-06100-08	CAP CER 1206 CHIP 100N 10% X7R 50V	D200		001-10000-99	(S) DIODE SMD BAV99 DUAL SW SNGL INLINE
C220		015-23120-01	CAP CER 0805 CHIP 120P 5% NPO 50V	D201		001-00011-60	(S) DIODE SR2607 6A/30V
C221		015-06100-08	CAP CER 1206 CHIP 100N 10% X7R 50V	D203		001-10000-70	(S) DIODE SMD BAV70 DUALSWSOT-23 COMCATH
C222		015-06100-08	CAP CER 1206 CHIP 100N 10% X7R 50V	D300		001-10000-56	(S) DIODE SMD BAW56 DUAL SWISOT-23 COM AN
&C300	NB	015-21820-01	CAP CER 0805 CHIP 8P2 +/-0.25P NPO 50V	#FL300	LOW	051-00005-47	COIL A/W 5.25T/8MM 400-450MHZ HELIC
&C300	MB	015-21820-01	CAP CER 0805 CHIP 8P2 +/-0.25P NPO 50V	#FL300	LOW	051-00005-47	COIL A/W 5.25T/8MM 400-450MHZ HELIC
&C300	WB	015-21820-01	CAP CER 0805 CHIP 8P2 +/-0.25P NPO 50V	#FL300	MID	051-00005-48	COIL A/W 5T/8MM 430-480MHZ HELIC
&C300	UWB	015-22180-01	CAP CER 0805 CHIP 18P +/-0.25P NPO 50V	#FL300	MID	051-00005-48	COIL A/W 5T/8MM 430-480MHZ HELIC
C301		015-22390-01	CAP CER 0805 CHIP 39P 5% NPO 50V	#FL300	MID	051-00005-48	COIL A/W 5T/8MM 430-480MHZ HELIC
C302		015-21330-01	CAP CER 0805 CHIP 3P3 +/-0.25P NPO 50V	#FL300	HI	051-00005-49	COIL A/W 4.5T/8MM 470-520MHZ HELIC
C303		015-21330-01	CAP CER 0805 CHIP 3P3 +/-0.25P NPO 50V	#FL300	HI	051-00005-49	COIL A/W 4.5T/8MM 470-520MHZ HELIC
C304		015-22390-01	CAP CER 0805 CHIP 39P 5% NPO 50V	#FL301	LOW	051-00005-47	COIL A/W 5.25T/8MM 400-450MHZ HELIC
C305		015-21680-01	CAP CER 0805 CHIP 6P8 +/-0.25P NPO 50V	#FL301	LOW	051-00005-47	COIL A/W 5.25T/8MM 400-450MHZ HELIC
C306		015-21820-01	CAP CER 0805 CHIP 8P2 +/-0.25P NPO 50V	#FL301	MID	051-00005-48	COIL A/W 5T/8MM 430-480MHZ HELIC
C307		015-05470-08	CAP CER 1206 CHIP 47N 10% X7R 50V	#FL301	MID	051-00005-48	COIL A/W 5T/8MM 430-480MHZ HELIC
C308		015-21680-01	CAP CER 0805 CHIP 6P8 +/-0.25P NPO 50V	#FL301	HI	051-00005-49	COIL A/W 4.5T/8MM 470-520MHZ HELIC
C310		015-21330-01	CAP CER 0805 CHIP 3P3 +/-0.25P NPO 50V	#FL301	HI	051-00005-49	COIL A/W 4.5T/8MM 470-520MHZ HELIC
C311		015-24470-08	CAP CER 0805 CHIP 4N7 10% X7R 50V				
C312		015-23120-01	CAP CER 0805 CHIP 120P 5% NPO 50V	&IC1	NB	002-00017-47	(S) IC SP8719 UHF 80/81 PRESC
C313		015-21330-01	CAP CER 0805 CHIP 3P3 +/-0.25P NPO 50V	&IC1	MB	002-00017-45	(S) IC SP8718 UHF 64/65 PRESC
C314		015-05470-08	CAP CER 1206 CHIP 47N 10% X7R 50V	&IC1	WB	002-00017-45	(S) IC SP8718 UHF 64/65 PRESC
&C315	NB	015-21820-01	CAP CER 0805 CHIP 8P2 +/-0.25P NPO 50V	&IC1	UWB	002-00017-45	(S) IC SP8718 UHF 64/65 PRESC
&C315	MB	015-21820-01	CAP CER 0805 CHIP 8P2 +/-0.25P NPO 50V	=IC2	2.5ppm	539-00010-41	TCXO 12.8MHZ +/-2.5PPM -30+70C NDK NSA0175A
&C315	WB	015-21820-01	CAP CER 0805 CHIP 8P2 +/-0.25P NPO 50V	=IC2	2ppm	539-00010-43	TCXO 12.8MHZ +/-2PPM -10+60C NDK TIC3002A
&C315	UWB	015-22180-01	CAP CER 0805 CHIP 18P +/-0.25P NPO 50V	=IC2	1ppm	539-00010-44	TCXO 12.8MHZ +/-1PPM 0 TO +60C
C316		015-23120-01	CAP CER 0805 CHIP 120P 5% NPO 50V	IC3		002-00017-63	(S) IC NJ8820DP FREQ SYNTHESIZER
C317		015-21270-01	CAP CER 0805 CHIP 2P7 +/-0.25P NPO 50V	IC4		002-00012-47	(S) IC MC33078 DUAL OP AMP LO NOISE
C318		015-22100-01	CAP CER 0805 CHIP 10P +/-0.5P NPO 50V	IC5		002-74000-04	(S) IC 74HCU04 UNBUFF HEX INVERTER
C319		015-25100-08	CAP CER 0805 CHIP 10N 10% X7R 50V	IC6		002-74000-74	(S) IC 74HC74 DUAL D F/F
C320		015-24100-08	CAP CER 0805 CHIP 1N 10% X7R 50V	IC100		002-00012-40	(S) IC 358P DUAL OP AMP
C322		015-24470-08	CAP CER 0805 CHIP 4N7 10% X7R 50V	IC101		002-00012-40	(S) IC 358P DUAL OP AMP
C323		015-22270-01	CAP CER 0805 CHIP 27P 5% NPO 50V	IC102		002-00014-05	(S) IC TDA7231 1.6W AF PWR
C324		015-23100-01	CAP CER 0805 CHIP 100P 5% NPO 50V	IC103		002-00014-05	(S) IC TDA7231 1.6W AF PWR
&C325	NB	015-22100-01	CAP CER 0805 CHIP 10P +/-0.5P NPO 50V	IC104		002-00012-40	(S) IC 358P DUAL OP AMP
&C325	MB	015-22120-01	CAP CER 0805 CHIP 12P 5% NPO 50V	IC201		002-00012-40	(S) IC 358P DUAL OP AMP
&C325	WB	015-22120-01	CAP CER 0805 CHIP 12P 5% NPO 50V	IC202		002-00014-62	(S) IC 317L 100MA REG 3 TERMINAL TO-92
&C325	UWB	015-22270-01	CAP CER 0805 CHIP 27P 5% NPO 50V	IC300		002-00014-72	(S) IC MC3361 LO PWR FM IF
C326		020-58100-03	CAP ELECT AI RDL 10M 50V 5X11MM	IC301		002-00022-01	(S) MIXER DOUBLE BLNCD TAK-1WH MXR
C327		015-21270-01	CAP CER 0805 CHIP 2P7 +/-0.25P NPO 50V	IC302		002-00014-58	(S) IC 78L05 5V 100MA REG TO-92
C328		020-58100-03	CAP ELECT AI RDL 10M 50V 5X11MM				
C330		015-05470-08	CAP CER 1206 CHIP 47N 10% X7R 50V	L1		052-08125-15	COIL A/W 1.5T/2.5MM HOR 0.8MM WIRE
&C332	NB	015-22100-01	CAP CER 0805 CHIP 10P +/-0.5P NPO 50V	L100		056-00021-02	IND FXD 100UH AXIAL
&C332	MB	015-22120-01	CAP CER 0805 CHIP 12P 5% NPO 50V	L300		052-08125-25	COIL A/W 2.5T/2.5MM HOR 0.8MM WIRE
&C332	WB	015-22120-01	CAP CER 0805 CHIP 12P 5% NPO 50V	L301		050-00016-22	COIL TAIT NO 622 20-120MHZ 7MM CAN
&C332	UWB	015-22270-01	CAP CER 0805 CHIP 27P 5% NPO 50V	L302		052-08140-15	COIL A/W 1.5T/4.0MM HOR 0.8MM WIRE
C333		015-24470-08	CAP CER 0805 CHIP 4N7 10% X7R 50V	L303		052-08140-15	COIL A/W 1.5T/4.0MM HOR 0.8MM WIRE
C335		015-22100-01	CAP CER 0805 CHIP 10P +/-0.5P NPO 50V	L304		050-00016-22	COIL TAIT NO 622 20-120MHZ 7MM CAN
C336		015-22560-01	CAP CER 0805 CHIP 56P 5% NPO 50V	L305		052-08125-25	COIL A/W 2.5T/2.5MM HOR 0.8MM WIRE
C337		015-24470-08	CAP CER 0805 CHIP 4N7 10% X7R 50V	L306		050-00016-22	COIL TAIT NO 622 20-120MHZ 7MM CAN
C338		015-23120-01	CAP CER 0805 CHIP 120P 5% NPO 50V	L307		056-00021-04	IND FXD 330NH AXIAL
C339		015-24470-08	CAP CER 0805 CHIP 4N7 10% X7R 50V	L308		050-00016-22	COIL TAIT NO 622 20-120MHZ 7MM CAN
C340		015-21270-01	CAP CER 0805 CHIP 2P7 +/-0.25P NPO 50V	L309		050-00016-22	COIL TAIT NO 622 20-120MHZ 7MM CAN
C341		015-24470-08	CAP CER 0805 CHIP 4N7 10% X7R 50V	L310		056-00021-04	IND FXD 330NH AXIAL
C342		015-24470-08	CAP CER 0805 CHIP 4N7 10% X7R 50V	L311		050-00016-21	COIL TAIT NO 621 FXD 10.7MHZ 7MM CAN
C343		025-08100-02	CAP TANT BEAD 10M 10% 16V	L312		050-00016-22	COIL TAIT NO 622 20-120MHZ 7MM CAN
C344		015-24470-08	CAP CER 0805 CHIP 4N7 10% X7R 50V	L313		050-00016-22	COIL TAIT NO 622 20-120MHZ 7MM CAN
C345		015-24470-08	CAP CER 0805 CHIP 4N7 10% X7R 50V	L314		050-00016-22	COIL TAIT NO 622 20-120MHZ 7MM CAN
C346		015-24100-08	CAP CER 0805 CHIP 1N 10% X7R 50V	L316		050-00016-31	COIL TAIT NO 631 455KHZ IF 7MM CAN
C347		015-22150-01	CAP CER 0805 CHIP 15P 5% NPO 50V				
C350		015-05470-08	CAP CER 1206 CHIP 47N 10% X7R 50V	LED1		008-00013-32	(S) LED 3MM RED LO CURRENT NO MTG
C351		015-22150-01	CAP CER 0805 CHIP 15P 5% NPO 50V	LED2		008-00013-35	(S) LED 3MM GREEN LO CURRENT NO MTG
C352		020-58100-03	CAP ELECT AI RDL 10M 50V 5X11MM				
C353		015-22150-01	CAP CER 0805 CHIP 15P 5% NPO 50V	PL5		240-00020-57	HEADER 10 WAY 1 ROW PCB MTG
C354		015-24470-08	CAP CER 0805 CHIP 4N7 10% X7R 50V	PL100		240-00020-59	HEADER 3 WAY 1 ROW PCB MTG
C355		025-08100-02	CAP TANT BEAD 10M 10% 16V	PL101		240-00020-59	HEADER 3 WAY 1 ROW PCB MTG
C356		015-05470-08	CAP CER 1206 CHIP 47N 10% X7R 50V	PL102		240-00020-59	HEADER 3 WAY 1 ROW PCB MTG
C357		015-05470-08	CAP CER 1206 CHIP 47N 10% X7R 50V	PL103		240-00020-59	HEADER 3 WAY 1 ROW PCB MTG
C359		015-24470-08	CAP CER 0805 CHIP 4N7 10% X7R 50V	PL104		240-00020-59	HEADER 3 WAY 1 ROW PCB MTG
C360		015-25100-08	CAP CER 0805 CHIP 10N 10% X7R 50V	PL105		240-00020-58	HEADER 5 WAY 1 ROW PCB MTG
&C361	NB	015-21820-01	CAP CER 0805 CHIP 8P2 +/-0.25P NPO 50V	PL106		240-00020-59	HEADER 3 WAY 1 ROW PCB MTG
&C361	MB	015-21820-01	CAP CER 0805 CHIP 8P2 +/-0.25P NPO 50V	Q1		000-10057-10	(S) XSTR SMD MMBR571 NPN SOT-23 UHF LO PW
&C361	WB	015-21820-01	CAP CER 0805 CHIP 8P2 +/-0.25P NPO 50V	Q3		000-10008-48	(S) XSTR SMD BCW60/BC848B215 NPN SOT23 AF
&C361	UWB	015-22150-01	CAP CER 0805 CHIP 15P +/-0.25P NPO 50V	Q4		000-10008-48	(S) XSTR SMD BCW60/BC848B215 NPN SOT23 AF
C362		015-24470-08	CAP CER 0805 CHIP 4N7 10% X7R 50V	Q100		000-10008-48	(S) XSTR SMD BCW60/BC848B215 NPN SOT23 AF
C363		015-25100-08	CAP CER 0805 CHIP 10N 10% X7R 50V	Q101		000-10008-57	(S) XSTR SMD BCW70/BC857-215 PNP SOT23 AF
C364		015-24470-08	CAP CER 0805 CHIP 4N7 10% X7R 50V	Q102		000-10008-57	(S) XSTR SMD BCW70/BC857-215 PNP SOT23 AF
C365		015-05470-08	CAP CER 1206 CHIP 47N 10% X7R 50V	Q103		000-10008-57	(S) XSTR SMD BCW70/BC857-215 PNP SOT23 AF
&C366	NB	015-24470-08	CAP CER 0805 CHIP 4N7 10% X7R 50V	Q104		000-10008-17	(S) XSTR SMD BC817-25 NPN SOT-23 AF LO PWR
&C366	MB	015-22470-01	CAP CER 0805 CHIP 47P 5% NPO 50V	Q105		000-10008-48	(S) XSTR SMD BCW60/BC848B215 NPN SOT23 AF
&C366	WB	015-22470-01	CAP CER 0805 CHIP 47P 5% NPO 50V	Q106		000-10008-48	(S) XSTR SMD BCW60/BC848B215 NPN SOT23 AF
&C366	UWB	015-22220-01	CAP CER 0805 CHIP 22P 5% NPO 50V	Q107		000-10008-48	(S) XSTR SMD BCW60/BC848B215 NPN SOT23 AF
&C367	NB	015-24470-08	CAP CER 0805 CHIP 4N7 10% X7R 50V	Q108		000-10008-48	(S) XSTR SMD BCW60/BC848B215 NPN SOT23 AF
&C367	MB	015-22470-01	CAP CER 0805 CHIP 47P 5% NPO 50V	Q109		000-10008-48	(S) XSTR SMD BCW60/BC848B215 NPN SOT23 AF
&C367	WB	015-22470-01	CAP CER 0805 CHIP 47P 5% NPO 50V	Q200		000-00011-30	(S) XSTR BC557B PNP AF SML SIG TO92
&C367	UWB	015-22220-01	CAP CER 0805 CHIP 22P 5% NPO 50V	Q201		000-00012-15	(S) XSTR BD234 PNP AF PWR TO126
C368		015-24470-08	CAP CER 0805 CHIP 4N7 10% X7R 50V	Q202		000-10008-17	(S) XSTR SMD BC817-25 NPN SOT-23 AF LO PWR
D1		001-10000-70	(S) DIODE SMD BAV70 DUALSWSOT-23 COMCATH	Q203		000-10008-57	(S) XSTR SMD BCW70/BC857-215 PNP SOT23 AF
D2		001-10000-70	(S) DIODE SMD BAV70 DUALSWSOT-23 COMCATH	Q300		000-10008-48	(S) XSTR SMD BCW60/BC848B215 NPN SOT23 AF
D100		001-10000-99	(S) DIODE SMD BAV99 DUAL SW SNGL INLINE	Q301		000-10008-48	(S) XSTR SMD BCW60/BC848B215 NPN SOT23 AF
D101		001-10000-56	(S) DIODE SMD BAW56 DUAL SWISOT-23 COM AN	Q302		000-10008-92	(S) XSTR SMD BFS17 NPN SOT-23 UHF SMALL SG
D102		008-00013-32	(S) LED 3MM RED LO CURRENT NO MTG	Q303		000-10005-10	(S) XSTR SMD MMBR571 NPN SOT-23 UHF LO PW
D103		001-10000-70	(S) DIODE SMD BAV70 DUALSWSOT-23 COMCATH	Q304		000-10009-91	(S) XSTR SMD BF991 DGMOSFET
D104		001-10000-70	(S) DIODE SMD BAV70 DUALSWSOT-23 COMCATH	Q305		000-00020-18	(S) XSTR BF247A JFET TO-92 VHF SMALL SIG
D105		008-00013-35	(S) LED 3MM GREEN LO CURRENT NO MTG	Q306		000-10008-48	(S) XSTR SMD BCW60/BC848B215 NPN SOT23 AF
D106		001-00011-70	(S) DIODE 1N4001 1A/50V				
D107		001-00011-70	(S) DIODE 1N4001 1A/50V	R1		036-12100-00	RES M/F 0805 CHIP 10E 5%
D108		001-00011-70	(S) DIODE 1N4001 1A/50V	R2		036-17100-00	RES M/F 0805 CHIP 1M 5%

Ref	Var	IPN	Description	Ref	Var	IPN	Description
R3		036-14100-00	RES M/F 0805 CHIP 1K 5%	R138		036-14470-00	RES M/F 0805 CHIP 4K7 5%
R4		036-17100-00	RES M/F 0805 CHIP 1M 5%	R139		036-14470-00	RES M/F 0805 CHIP 4K7 5%
R5		036-14330-00	RES M/F 0805 CHIP 3K3 5%	R140		036-14820-00	RES M/F 0805 CHIP 8K2 5%
R6		036-13120-00	RES M/F 0805 CHIP 120E 5%	R141		036-15470-00	RES M/F 0805 CHIP 47K 5%
R7		036-13100-00	RES M/F 0805 CHIP 100E 5%	R142		036-15470-00	RES M/F 0805 CHIP 47K 5%
R8		036-17100-00	RES M/F 0805 CHIP 1M 5%	R143		036-15470-00	RES M/F 0805 CHIP 47K 5%
R9		036-12180-00	RES M/F 0805 CHIP 18E 5%	R144		036-11470-00	RES M/F 0805 CHIP 4E7 10%
R10		036-17100-00	RES M/F 0805 CHIP 1M 5%	R145		036-11470-00	RES M/F 0805 CHIP 4E7 10%
R11		036-12680-00	RES M/F 0805 CHIP 68E 5%	R146		036-14100-00	RES M/F 0805 CHIP 1K 5%
R12		036-17100-00	RES M/F 0805 CHIP 1M 5%	R147		036-13150-00	RES M/F 0805 CHIP 150E 5%
R13		036-17100-00	RES M/F 0805 CHIP 1M 5%	R148		036-14100-00	RES M/F 0805 CHIP 1K 5%
R14		036-12100-00	RES M/F 0805 CHIP 10E 5%	R149		036-13100-00	RES M/F 0805 CHIP 100E 5%
R15		036-17100-00	RES M/F 0805 CHIP 1M 5%	R150		036-14100-00	RES M/F 0805 CHIP 1K 5%
R16		036-12220-00	RES M/F 0805 CHIP 22E 5%	R151		036-14470-00	RES M/F 0805 CHIP 4K7 5%
R20		036-12220-00	RES M/F 0805 CHIP 22E 5%	&R152	NB	036-14330-00	RES M/F 0805 CHIP 3K3 5%
R21		036-15120-00	RES M/F 0805 CHIP 12K 5%	&R152	MB	036-14470-00	RES M/F 0805 CHIP 4K7 5%
R22		036-15100-00	RES M/F 0805 CHIP 10K 5%	&R152	WB	036-14470-00	RES M/F 0805 CHIP 4K7 5%
R23		036-16470-00	RES M/F 0805 CHIP 470K 5%	&R152	UWB	036-14470-00	RES M/F 0805 CHIP 4K7 5%
R24		036-13100-00	RES M/F 0805 CHIP 100E 5%	R153		036-15100-00	RES M/F 0805 CHIP 10K 5%
R25		036-14100-00	RES M/F 0805 CHIP 1K 5%	R154		036-13100-00	RES M/F 0805 CHIP 100E 5%
R26		036-17100-00	RES M/F 0805 CHIP 1M 5%	R155		036-15120-00	RES M/F 0805 CHIP 12K 5%
R27		036-17100-00	RES M/F 0805 CHIP 1M 5%	R156		036-14560-00	RES M/F 0805 CHIP 5K6 5%
R28		036-15100-00	RES M/F 0805 CHIP 10K 5%	R157		036-16220-00	RES M/F 0805 CHIP 220K 5%
R29		036-16100-00	RES M/F 0805 CHIP 100K 5%	R158		036-14470-00	RES M/F 0805 CHIP 4K7 5%
R30		036-15100-00	RES M/F 0805 CHIP 10K 5%	R159		036-14470-00	RES M/F 0805 CHIP 4K7 5%
R31		036-15100-00	RES M/F 0805 CHIP 10K 5%	R160		036-14680-00	RES M/F 0805 CHIP 6K8 5%
R32		036-16470-00	RES M/F 0805 CHIP 470K 5%	R161		036-16100-00	RES M/F 0805 CHIP 100K 5%
R33		036-16470-00	RES M/F 0805 CHIP 470K 5%	R174		036-15150-00	RES M/F 0805 CHIP 15K 5%
R34		036-14560-00	RES M/F 0805 CHIP 5K6 5%	R175		036-14390-00	RES M/F 0805 CHIP 3K9 5%
R35		036-12220-00	RES M/F 0805 CHIP 22E 5%	R176		036-13470-00	RES M/F 0805 CHIP 470E 5%
R36		036-14150-00	RES M/F 0805 CHIP 1K5 5%	R200		036-12220-00	RES M/F 0805 CHIP 22E 5%
R37		036-14100-00	RES M/F 0805 CHIP 1K 5%	R201		036-14470-00	RES M/F 0805 CHIP 4K7 5%
R38		036-15150-00	RES M/F 0805 CHIP 15K 5%	R203		036-14100-00	RES M/F 0805 CHIP 1K 5%
R39		036-16100-00	RES M/F 0805 CHIP 100K 5%	R204		032-33270-00	RES M/F PWR 270E 5% 1W 12X4.5MM
R40		036-12220-00	RES M/F 0805 CHIP 22E 5%	R205		032-31100-00	RES M/F PWR 1E0 5% 1W 12X4.5MM
R41		036-12100-00	RES M/F 0805 CHIP 10E 5%	R206		036-14680-00	RES M/F 0805 CHIP 6K8 5%
R42		036-12100-00	RES M/F 0805 CHIP 10E 5%	R207		036-15100-00	RES M/F 0805 CHIP 10K 5%
R100		036-15270-00	RES M/F 0805 CHIP 27K 5%	R208		032-31100-00	RES M/F PWR 1E0 5% 1W 12X4.5MM
RL100		237-00010-22	RELAY 12V DPDT 8PIN DIL PCB MTG FUJITSU 244	R209		036-13100-00	RES M/F 0805 CHIP 100E 5%
RV100		040-05100-21	POT 10K LIN VERT PCB MTG 15MM SLOT SHAFT	R212		036-12100-00	RES M/F 0805 CHIP 10E 5%
R101		036-13100-00	RES M/F 0805 CHIP 100E 5%	R213		036-15150-00	RES M/F 0805 CHIP 15K 5%
RV101		042-05100-06	RES PRESET 10K CARBON 6MM FLAT	R214		036-16100-00	RES M/F 0805 CHIP 100K 5%
R102		036-14220-00	RES M/F 0805 CHIP 2K2 5%	R215		036-15560-00	RES M/F 0805 CHIP 56K 5%
RV102		040-05100-23	POT 10K LOG VERT PCB MTG 15MM SLOT SHAFT	R216		036-14150-00	RES M/F 0805 CHIP 1K5 5%
R103		036-15220-00	RES M/F 0805 CHIP 22K 5%	R217		036-13470-00	RES M/F 0805 CHIP 470E 5%
RV103		040-05100-22	POT 10K LOG DUAL PCB MTG 6MM OD SHAFT	R300		036-15180-00	RES M/F 0805 CHIP 18K 5%
R104		036-15100-00	RES M/F 0805 CHIP 10K 5%	RV300		042-04220-06	RES PRESET 2K2 CARBON 6MM FLAT
RV104		042-05100-06	RES PRESET 10K CARBON 6MM FLAT	R301		036-15100-00	RES M/F 0805 CHIP 10K 5%
R105		036-16220-00	RES M/F 0805 CHIP 220K 5%	RV301		042-04220-06	RES PRESET 2K2 CARBON 6MM FLAT
R106		036-16390-00	RES M/F 0805 CHIP 390K 5%	R302		036-16390-00	RES M/F 0805 CHIP 390K 5%
&R107	NB	036-15180-00	RES M/F 0805 CHIP 18K 5%	R303		036-12470-00	RES M/F 0805 CHIP 47E 5%
&R107	MB	036-15220-00	RES M/F 0805 CHIP 22K 5%	R304		036-14330-00	RES M/F 0805 CHIP 3K3 5%
&R107	WB	036-15220-00	RES M/F 0805 CHIP 22K 5%	R305		036-15150-00	RES M/F 0805 CHIP 15K 5%
&R107	UWB	036-15220-00	RES M/F 0805 CHIP 22K 5%	R306		036-14330-00	RES M/F 0805 CHIP 3K3 5%
R108		036-14820-00	RES M/F 0805 CHIP 8K2 5%	R307		036-14100-00	RES M/F 0805 CHIP 1K 5%
&R109	NB	036-15150-00	RES M/F 0805 CHIP 15K 5%	R308		036-10000-00	RES M/F 0805 CHIP ZERO OHM
&R109	MB	036-15150-00	RES M/F 0805 CHIP 15K 5%	R309		036-16100-00	RES M/F 0805 CHIP 100K 5%
&R109	WB	036-15150-00	RES M/F 0805 CHIP 15K 5%	R310		036-15220-00	RES M/F 0805 CHIP 22K 5%
&R109	UWB	036-10000-00	RES M/F 0805 CHIP ZERO OHM	R311		036-10000-00	RES M/F 0805 CHIP ZERO OHM
R110		036-16100-00	RES M/F 0805 CHIP 100K 5%	R313		036-14270-00	RES M/F 0805 CHIP 2K7 5%
R111		036-14470-00	RES M/F 0805 CHIP 4K7 5%	R314		036-14330-00	RES M/F 0805 CHIP 3K3 5%
&R112	NB	036-15390-00	RES M/F 0805 CHIP 39K 5%	R315		036-13330-00	RES M/F 0805 CHIP 330E 5%
&R112	MB	036-15390-00	RES M/F 0805 CHIP 39K 5%	R316		036-14470-00	RES M/F 0805 CHIP 4K7 5%
&R112	WB	036-15390-00	RES M/F 0805 CHIP 39K 5%	R317		036-14100-00	RES M/F 0805 CHIP 1K 5%
&R112	UWB	036-15220-00	RES M/F 0805 CHIP 22K 5%	R318		036-12100-00	RES M/F 0805 CHIP 10E 5%
R113		036-16100-00	RES M/F 0805 CHIP 100K 5%	R319		036-14100-00	RES M/F 0805 CHIP 1K 5%
R114		036-14470-00	RES M/F 0805 CHIP 4K7 5%	R320		036-13150-00	RES M/F 0805 CHIP 150E 5%
R115		036-14270-00	RES M/F 0805 CHIP 2K7 5%	R321		036-12100-00	RES M/F 0805 CHIP 10E 5%
R116		036-13100-00	RES M/F 0805 CHIP 100E 5%	R322		036-12470-00	RES M/F 0805 CHIP 47E 5%
R117		036-15470-00	RES M/F 0805 CHIP 47K 5%	R323		036-15100-00	RES M/F 0805 CHIP 10K 5%
R119		036-15100-00	RES M/F 0805 CHIP 10K 5%	R324		036-16100-00	RES M/F 0805 CHIP 100K 5%
R120		036-14390-00	RES M/F 0805 CHIP 3K9 5%	R325		036-15100-00	RES M/F 0805 CHIP 10K 5%
R121		036-14100-00	RES M/F 0805 CHIP 1K 5%	R326		036-14390-00	RES M/F 0805 CHIP 3K9 5%
&R122	NB	036-14470-00	RES M/F 0805 CHIP 4K7 5%	R327		036-15470-00	RES M/F 0805 CHIP 47K 5%
&R122	MB	036-14820-00	RES M/F 0805 CHIP 8K2 5%	R328		036-10000-00	RES M/F 0805 CHIP ZERO OHM
&R122	WB	036-14820-00	RES M/F 0805 CHIP 8K2 5%	R329		036-15470-00	RES M/F 0805 CHIP 47K 5%
&R122	UWB	036-14390-00	RES M/F 0805 CHIP 3K9 5%	R330		036-13470-00	RES M/F 0805 CHIP 470E 5%
R123		036-14680-00	RES M/F 0805 CHIP 6K8 5%	R332		036-12100-00	RES M/F 0805 CHIP 10E 5%
R124		036-14680-00	RES M/F 0805 CHIP 6K8 5%	R333		036-13470-00	RES M/F 0805 CHIP 470E 5%
R125		036-14100-00	RES M/F 0805 CHIP 1K 5%	R334		036-12220-00	RES M/F 0805 CHIP 22E 5%
&R126	NB	036-15470-00	RES M/F 0805 CHIP 47K 5%	R335		036-14820-00	RES M/F 0805 CHIP 8K2 5%
&R126	MB	036-15470-00	RES M/F 0805 CHIP 47K 5%	R336		036-13220-00	RES M/F 0805 CHIP 220E 5%
&R126	WB	036-15470-00	RES M/F 0805 CHIP 47K 5%	R337		036-13220-00	RES M/F 0805 CHIP 220E 5%
&R126	UWB	036-15270-00	RES M/F 0805 CHIP 27K 5%	R338		036-12470-00	RES M/F 0805 CHIP 47E 5%
&R127	NB	036-16100-00	RES M/F 0805 CHIP 100K 5%	R339		036-15100-00	RES M/F 0805 CHIP 10K 5%
&R127	MB	036-16100-00	RES M/F 0805 CHIP 100K 5%	R340		036-15100-00	RES M/F 0805 CHIP 10K 5%
&R127	WB	036-16100-00	RES M/F 0805 CHIP 100K 5%	R341		036-15220-00	RES M/F 0805 CHIP 22K 5%
&R127	UWB	036-16330-00	RES M/F 0805 CHIP 330K 5%	R342		036-15120-00	RES M/F 0805 CHIP 12K 5%
R128		036-13560-00	RES M/F 0805 CHIP 560E 5%	R343		045-05100-01	RES NTC 10K 20% 5MM DISC
R129		036-14100-00	RES M/F 0805 CHIP 1K 5%	R344		036-10000-00	RES M/F 0805 CHIP ZERO OHM
R130		036-14220-00	RES M/F 0805 CHIP 2K2 5%	R345		036-13330-00	RES M/F 0805 CHIP 330E 5%
R131		036-14100-00	RES M/F 0805 CHIP 1K 5%	R346		036-15100-00	RES M/F 0805 CHIP 10K 5%
R132		036-14680-00	RES M/F 0805 CHIP 6K8 5%	R347		036-14100-00	RES M/F 0805 CHIP 1K 5%
R133		036-14120-00	RES M/F 0805 CHIP 1K2 5%	R348		036-12470-00	RES M/F 0805 CHIP 47E 5%
R134		036-15390-00	RES M/F 0805 CHIP 39K 5%	R349		036-12390-00	RES M/F 0805 CHIP 39E 5%
R135		036-14820-00	RES M/F 0805 CHIP 8K2 5%	R350		036-10000-00	RES M/F 0805 CHIP ZERO OHM
R136		036-15470-00	RES M/F 0805 CHIP 47K 5%	R352		036-14270-00	RES M/F 0805 CHIP 2K7 5%
R137		036-15470-00	RES M/F 0805 CHIP 47K 5%	R353		036-14100-00	RES M/F 0805 CHIP 1K 5%

Ref	Var	IPN	Description	Ref	Var	IPN	Description
R354		036-15100-00	RES M/F 0805 CHIP 10K 5%				
R355		036-13390-00	RES M/F 0805 CHIP 390E 5%				
R356		036-12100-00	RES M/F 0805 CHIP 10E 5%				
R357		036-13820-00	RES M/F 0805 CHIP 820E 5%				
R358		036-14220-00	RES M/F 0805 CHIP 2K2 5%				
&R359	NB	036-15820-00	RES M/F 0805 CHIP 82K 5%				
&R359	MB	036-15560-00	RES M/F 0805 CHIP 56K 5%				
&R359	WB	036-15560-00	RES M/F 0805 CHIP 56K 5%				
&R359	UWB	036-15150-00	RES M/F 0805 CHIP 15K 5%				
R360		045-05100-01	RES NTC 10K 20% 5MM DISC				
R361		036-13220-00	RES M/F 0805 CHIP 220E 5%				
R362		036-10000-00	RES M/F 0805 CHIP ZERO OHM				
R363		036-12100-00	RES M/F 0805 CHIP 10E 5%				
R364		036-15100-00	RES M/F 0805 CHIP 10K 5%				
R365		036-17100-00	RES M/F 0805 CHIP 1M 5%				
R366		036-13180-00	RES M/F 0805 CHIP 180E 5%				
R367		036-12100-00	RES M/F 0805 CHIP 10E 5%				
R368		036-10000-00	RES M/F 0805 CHIP ZERO OHM				
R369		045-03150-01	RES NTC 150E 0.5W 5MM DISC				
R370		036-13470-00	RES M/F 0805 CHIP 470E 5%				
R371		036-12470-00	RES M/F 0805 CHIP 47E 5%				
R372		036-16150-00	RES M/F 0805 CHIP 150K 5%				
R373		036-12560-00	RES M/F 0805 CHIP 56E 5%				
SK1		240-04020-57	SKT 10 WAY 1ROW PCB MTG TOP ENTRY				
SW100		230-00010-30	SWITCH TOGGLE SPDT RT ANGLE PCB MT				
T100		053-00010-17	XFMR T4030 LINE MATCH POTCORE				
T200		050-00016-31	COIL TAIT NO 631 455KHZ IF 7MM CAN				
X300		274-00010-22	XTAL 44.545MHZ SPEC TE/22 HC45-UC/W TEF INS				
&XF300	NB	276-00010-57	FLTR XTAL 45MHZ 7.5K BW4POLE 45N7.5BA 2PCS				
&XF300	MB	276-00010-58	FLTR XTAL 45M 15K B/W 4P 2 PCS C/W TEF INS				
&XF300	WB	276-00010-58	FLTR XTAL 45M 15K B/W 4P 2 PCS C/W TEF INS				
&XF300	UWB	276-00010-59	FLTR XTAL 45MHZ 30KHZ B/W 4 POLE 2 PCS				
&XF301	NB	276-00010-54	FLTR XTAL 45M 7K5 B/W 2P 45N7.5A C/W TEF INS				
&XF301	MB	276-00010-56	FLTR XTAL 45MHZ 14KHZ B/W 2 POLE 45N14AB				
&XF301	WB	276-00010-56	FLTR XTAL 45MHZ 14KHZ B/W 2 POLE 45N14AB				
&XF301	UWB	276-00010-60	FLTR XTAL 45MHZ 30KHZ B/W 2 POLE 45F30A				
&XF302	NB	276-00010-13	FLTR CER 455KHZ 9KHZ B/W CFW455G				
&XF302	MB	276-00010-76	FLTR CER 455KHZ 12KHZ B/W CFWS455F				
&XF302	WB	276-00010-14	FLTR CER 455KHZ 15KHZ B/W CFW455E				
&XF302	UWB	276-00010-16	FLTR CER 455KHZ 30KHZ B/W SFH455B				

NOTE:

LOW = 400-440MHZ
MID = 440-480MHZ
HI = 480-530MHZ

NB = 7.5KHZ IF BANDWIDTH
MB = 12KHZ IF BANDWIDTH
WB = 15KHZ IF BANDWIDTH
UWB = 30KHZ IF BANDWIDTH

1PPM = 1PPM TCXO
2PPM = 2PPM TCXO
2.5PPM = 2.5PPM TCXO

T855 Mechanical & Miscellaneous Parts (220-01139-02)

IPN	Description	IPN	Description
012-04150-01	CAP CER F/THRU 1N5 NO LEAD C1-C15 On 15 Way D Range.		Attached To D Range Plug x1.
051-00006-02	SOLDER SPRING 1.3MM A4M1877 LED1 x2, LED2 x2.	345-00040-06	SCREW M3*8mm PAN POZI ST BZ For Final Installation Kit x2.
061-00010-20	FORMER PTFE A4M765 HELIC RESNTR Fit on FL300 x2 and FL301 x2.	345-00040-08	SCREW M3*12mm PAN POZI ST BZ D Range Blanking Cover Mtg x2.
062-00010-13	CAN 10MM SQ X 11mm SANWA 613 A4M1017 Fit Over Coil T200.	345-00040-09	SCREW M3*6mm CSK POZI TRUNCATED HEAD ST BZ For Final Installation Kit x2.
065-00010-13	BEAD FERRITE 7D 1.9*0.9*3.8mm STACK POLE 15 Way D Range x15.	345-00040-10	SCREW M3*6mm PAN POZI ST BZ Guide Skt to Float Plate x4, Rail x4, Final Installation Kit x2
066-00010-20	SLUG BRASS A4M764 T196 HELIC RESNTR For FL300 x2 and FL301 x2.	345-00040-11	SCREW M3*10mm PAN POZI ST BZ For Final Installation Kit x4.
201-00030-02	WIRE #1 T/C WIRE 7/0.2mm PVC RED 2 x30mm LEDs.	345-00040-20	SCREW M3*8mm BUTTON SKT HD BLACK ZINC PHOS Front Panel Mtg x4.
201-00030-10	WIRE #1 T/C WIRE 7/0.2mm PVC BLACK 2 x35mm LEDs.	349-00020-03	SCREW TAPTITE 4-40X1/4IN PAN POZI BZ Helical Resonator Mounting x4.
220-01139-02	PCB T855 RX	349-00020-31	SCREW TAPTITE M3X10mm PAN POZI BZ N Connector x4.
230-00010-31	COVER LEVER FOR TOGGLE SW 230-00010-30	349-00020-32	SCREW TAPTITE M3X8mm PAN POZI BZ Pcb Mounting x8.
240-00010-55	PLUG 15 WAY D RANGE WIRE WRAP PINS PNL MTG	349-00020-43	SCREW TAPTITE M4X12mm PAN POZI BZ Top Cover Mtg x14.
240-02010-54	SKT 15WAY DRANGE PNL MTG 105 DEG C Guide Rail Assembly Component, Part of Installation Kit x1	349-00020-45	SCREW TAPTITE M4X20mm PAN POZI BZ Bottom Cover Mtg x14.
240-02100-06	SKT COAX N TYPE PNL MTG OPEN TERMINAL	352-00010-08	NUT M3 COLD FORM HEX ST BZ D Range x2, D Range Cover x2, Vco Mtg x2.
240-04020-62	SKT 2 WAY RECEP TL SHORTING LINK For PLS100, 101, 102, 103, 104, 105 & 106 x1 Each.	352-00010-29	NUT M4 NYLOC HEX Handle x2.
240-04020-64	SKT JACK AN 0.98mm PCB MTG 64 WAY SIL STRIP 7 Sockets, SK300 (3), SK301(4)	352-00010-50	NUT TRIM SCREEN 1/4 UNF SPIRE SNO 2780 For Securing FL300 x2 and FL301 x2.
240-04020-65	SKT JACK PIN 1.3mm PCB MTG 64 WAY SIL STRIP For SJ2-1, SJ3-1, SJ4-1 TO SJ4-5, SJ5-1 TO SJ5-5	353-00010-10	WASHER M3 FLAT 7mm*0.6MM ST BZ Float Plate x4.
303-11168-00	CHASSIS HSINK PNTD CMLPT A1M2364 800 SERIES	353-00010-11	WASHER M3 Flat 9.5mm*0.9mm ST BZ For Final Installation Kit x4.
303-23118-00	COVER A3M2247 D RANGE HOLE T855/7 Blanking Plate On Rear For Extra D Range Connector x1.	353-00010-12	WASHER M3 SPRING BZ D Range x2, D Range Cover x2.
303-50074-00	CLIP A3M2246 SPRING XSTR CLAMP T857 Q201 x1.	353-00010-13	WASHER M3 SHAKEPROOF INT BZ Vco Mtg x2.
306-01010-00	FERRULE A4M948 HANDLE FXD EQUIP For Handle x2.	362-00010-23	GASKET SIL INSULATING TO-220 CLIP MTD Q201 x1.
308-01007-00	HANDLE A4M949 FXD EQUIP	362-00010-33	GROMMET LED MTG 3mm LO CURRENT LEDS
308-01047-00	HOUSING A2M2330 HELIC RESNTR COMPL T855 Fit Over FL300 x1 and FL301 x1	365-00011-53	LABEL WHITE RW2365/1 104*37mm SPECIAL ADHSIVE Item Description On Outside Of Box x1.
311-01015-00	KNOB SATO K34 AG 15mm & SKIRT 6mm SHFT FXDEQ Monitor Volume On Front Panel x1.	365-00100-20	LABEL WHITE S/A 28X11mm QUIKSTIK RW718/4 Rev No x1, EPROM x1, Helical Coils x2, T100 x1, 'Test Report Inside' x1.
312-01052-00	LID TOP PNTD COMPL A1M2364 800 SERIES	365-01391-01	LABEL 30*10.8mm TAMPERMARK VOID MATT FCC Rules Pt 15 x1, FCC ID x1, Aust DOTC Cert x1, Ser No x1, Canadian DOC x1.
312-01053-00	LID BOTTOM PNTD COMPL A1M2364 800 SERIES	365-01391-01	LABEL 24*12mm CE CONFORMITY
316-06368-02	PNL FRT COMPL T855 A3M2208/1 & 2	399-00010-51	BAG PLASTIC 75*100mm
316-85015-01	PIN A4M775 LOCATING D RANGE For Securing D Range x2.	400-00010-07	SLEEVING 2mm SIL RUBBER
316-85099-00	PLATE FLOAT A2M2248 DUAL D RANGE SKT BOX Guide Rail Assembly Component, Part of Installation Kit x1	410-01081-00	CRTN T800 MODULE KIWI REF22860 PRTD
316-85100-00	PLATE FRT A2M2249 DUAL D RANGE SKT BOX Guide Rail Assembly Component, Part of Installation Kit x1	410-01082-00	CRTN 10 T800 KIWI REF24417 423X410X360
318-01014-00	RAIL A2M2214 FOR 800 SERIES FXD EQUIP Guide Rail Assembly Component, Part of Installation Kit x2		
319-01152-00	SHIELD A3M2250 F/THRU MTG T857		

T855 Grid Reference Index (IPN 220-01139-02)

How To Use This Grid Reference Index

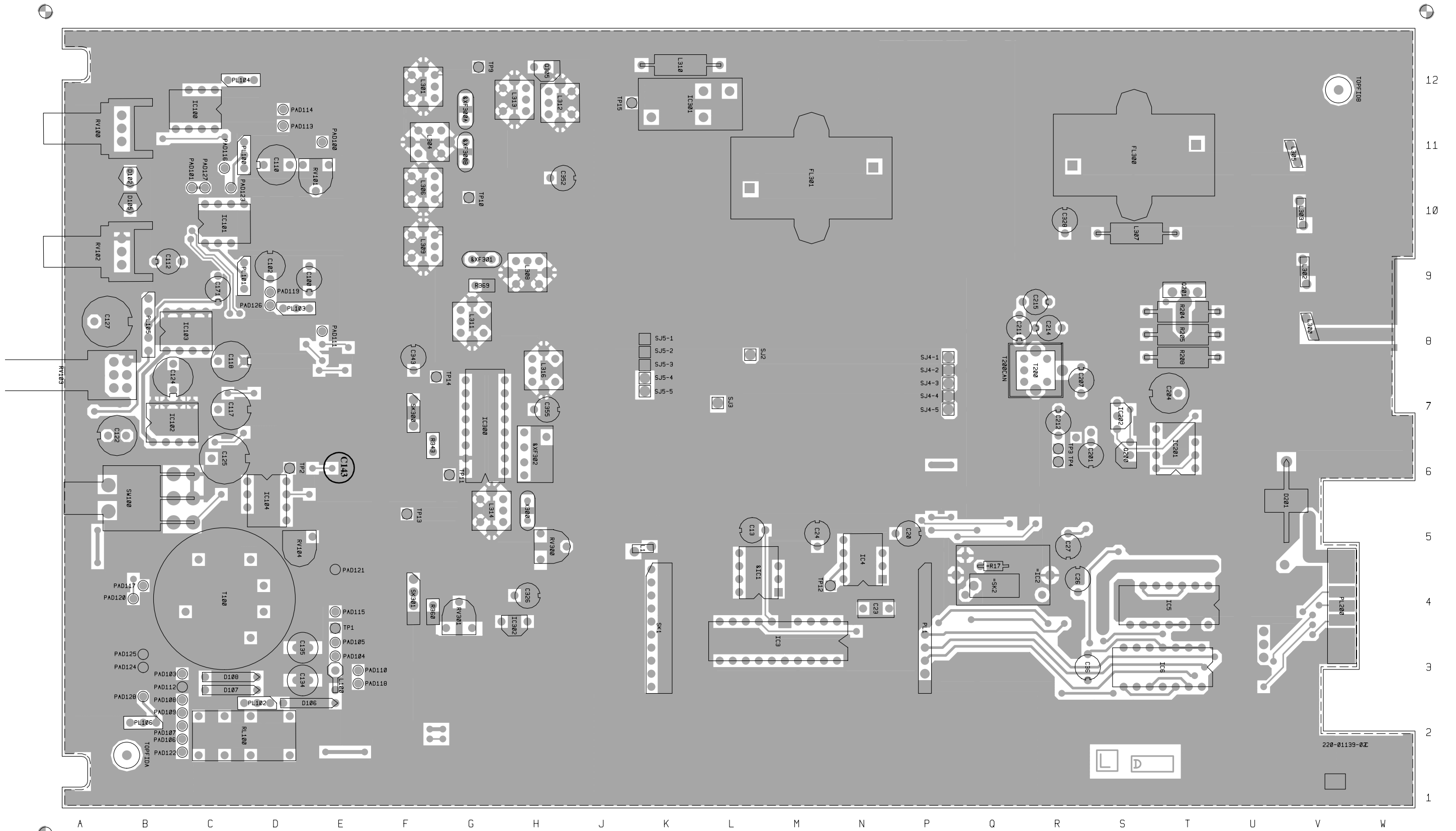
The first digit in the PCB layout reference is a "1" or "2", indicating the top or bottom side layout respectively, and the last two characters give the location of the component on that diagram.

The first digit in the circuit diagram reference is the sheet number, and the last two characters give the location of the component on that sheet.

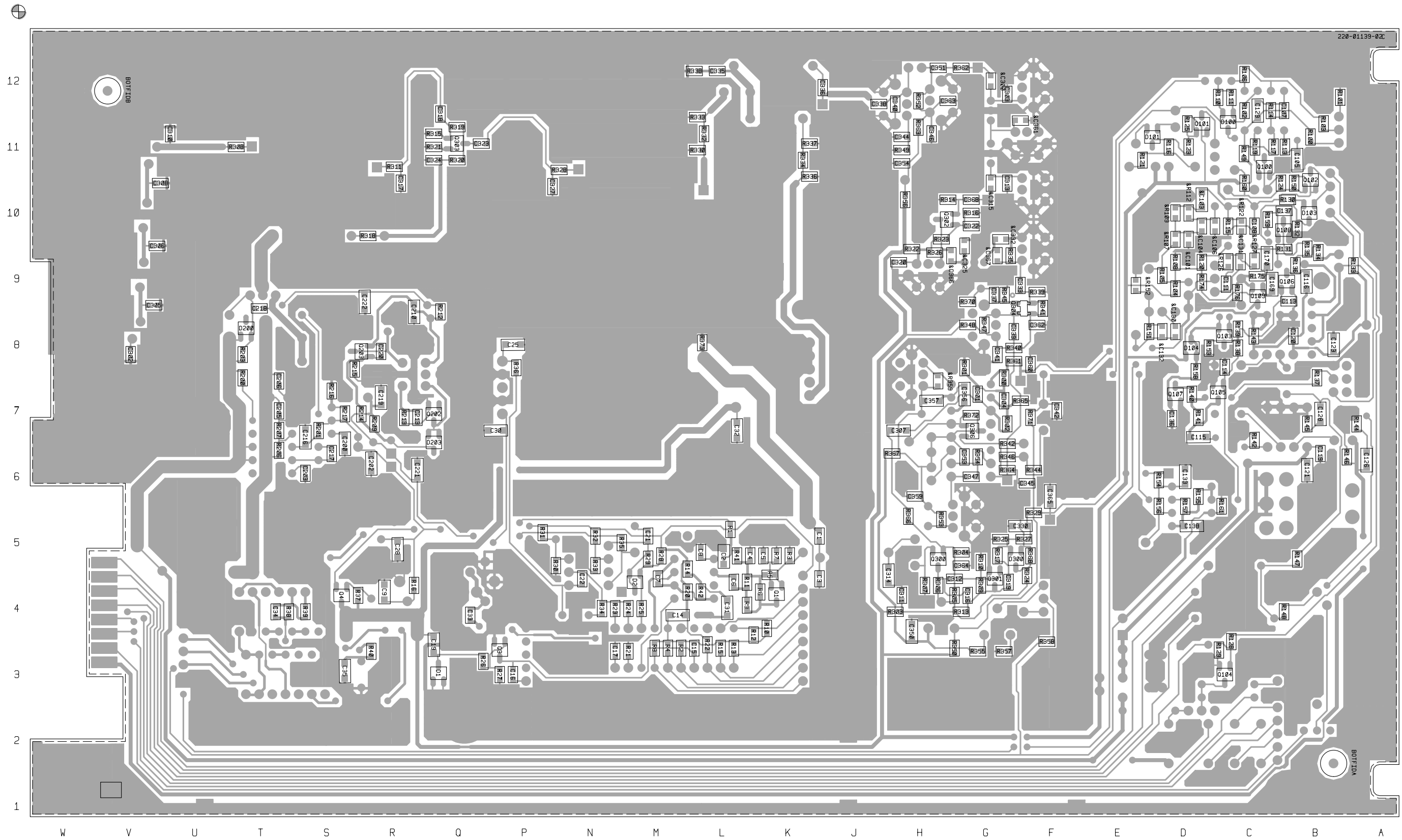
Device	PCB	Circuit	Device	PCB	Circuit	Device	PCB	Circuit	Device	PCB	Circuit
C1	2:K5	1-B4	C129	2:C12	2-E3	C327	2:P10	4-G7			4-G1
C2	2:L5	1-B5	&C130	2:D8	2-B8	C328	1:R10	4-G8	#FL300	1:T11	4-E8
C3	2:K5	1-B4	&C131	2:C9	2-H6	C330	2:G5	4-H2	#FL301	1:N11	4-H8
C4	2:L5	1-B5	&C132	2:D8	2-B8	&C332	2:G10	4-J4	&IC1	1:M4	1-D4
C5	2:K5	1-C4	C133	2:D6	2-E1	C333	2:G9	4-K4	=IC2	1:R5	1-B8
C6	2:L4	1-D5	C134	1:D3	2-R2	C335	2:L12	4-K7	IC3	1:N4	1-F3
C7	2:M5	1-D5	C135	1:D3	2-R2	C336	2:K12	4-L8	IC4	1:N4	1-N8
C8	2:L5	1-D4	C136	2:D7	2-M6	C337	2:G9	4-L4			1-L5
C9	2:R4	1-A8	C137	2:C10	2-L2	C338	2:J12	4-L8			1-N3
C13	1:L5	1-F4	C138	2:D5	2-C0	C339	2:G8	4-M5	IC5	1:T4	1-J8
C14	2:M4	1-F4	C169	2:C9	2-J9	C340	2:H12	4-M7			1-E7
C15	2:L3	1-G2	C170	2:C9	2-H9	C341	2:G8	4-M6			1-D7
C16	2:P3	1-G2	C171	1:C9	2-J8	C342	2:F7	4-L2			1-D7
C17	2:N3	1-H3	C200	2:S7	3-D1	C343	1:F8	4-M2			1-L8
C19	2:Q4	1-J2	C201	1:S6	3-F1	C344	2:H11	4-M7			1-K8
C20	1:P5	1-K5	C202	2:R6	3-G1	C345	2:F6	4-M2			1-J8
C21	2:M5	1-M2	C203	2:S6	3-J3	C346	2:H11	4-N7	IC6	1:T3	1-H8
C22	2:N5	1-L5	C204	1:T7	3-L1	C347	2:G6	4-N4			1-F8
C23	1:N4	1-L5	C205	2:T7	3-M1	C350	2:H4	4-P2			1-F7
C24	1:M5	1-P8	C206	2:T8	3-M1	C351	2:H12	4-P8	IC100	1:C12	2-F3
C25	2:P8	1-M5	C207	1:R7	3-N6	C352	1:H11	4-P7			2-B2
C26	1:R4	1-Q8	C210	2:R9	3-G6	C353	2:G6	4-P5			2-E1
C27	1:R5	1-Q7	C211	1:Q8	3-G6	C354	2:H11	4-P7	IC101	1:C10	2-R6
C28	2:R5	1-R7	C212	1:R7	3-L5	C355	1:H7	4-N6			2-G7
C30	2:P7	1-R8	C213	2:R7	3-J6	C356	2:G7	4-Q5			2-F7
C31	2:L4	1-D5	C214	1:R8	3-H6	C357	2:H7	4-Q6	IC102	1:B7	2-P7
C32	2:L7	1-Q5	C215	1:R9	3-E8	C359	2:H6	4-R6	IC103	1:B8	2-N2
C33	2:Q4	1-C7	C216	2:S7	3-H1	C360	2:F8	4-R4	IC104	1:D6	2-E0
C34	2:T4	1-C8	C217	2:S6	3-J2	&C361	2:G11	4-C4			2-B0
C35	2:S3	1-E9	C218	2:T9	3-K3	C362	2:F8	4-K5			2-D0
C36	1:S3	1-E9	C219	2:R7	3-N6	C363	2:H12	4-N7	IC201	1:T6	3-H3
C100	1:E9	2-C8	C220	2:R8	3-G6	C364	2:G5	4-C1			3-R0
&C101	2:D10	2-D7	C221	2:R6	3-M6	C365	2:F6	4-J2			3-H1
C102	1:D9	2-D8	C222	2:R9	3-F8	&C366	2:H9	4-H4	IC202	1:S7	3-E1
&C103	2:D10	2-E7	&C300	2:G12	4-A4	&C367	2:G9	4-J4	IC300	1:H6	4-B2
&C104	2:D10	2-E7	C301	2:G7	4-A2	C368	2:G10	4-F4			4-N5
C105	2:B11	2-D2	C302	2:V8	4-A7	D1	2:Q3	1-K2			4-Q4
&C106	2:D10	2-E7	C303	2:G12	4-B4			1-K2	IC301	1:L12	4-J8
C107	2:C12	2-F1	C304	2:G7	4-B2	D2	2:M4	1-M3	IC302	1:H4	4-N2
C108	2:C10	2-R6	C305	2:V9	4-B7			1-L3	L1	1:K5	1-B4
C110	1:D11	2-G5	C306	2:V10	4-C7	D100	2:C11	2-D2	L100	1:E3	2-K2
C111	2:C9	2-H6	C307	2:H7	4-C1			2-D2	L300	1:V8	4-B7
C112	1:B9	2-J8	C308	2:V11	4-C7	D101	2:E11	2-E4	L301	1:F12	4-B4
C113	2:B9	2-M2	C310	2:U11	4-D7			2-E4	L302	1:V9	4-B7
C114	2:C8	2-M5	C311	2:H4	4-D3	D102	1:B11	2-H2	L303	1:V10	4-C7
C115	2:D7	2-N7	C312	2:H5	4-E2	D103	2:B10	2-J2	L304	1:F11	4-C4
C116	2:B9	2-M3	C313	2:G11	4-E4			2-H2	L305	1:V11	4-D7
C117	1:C7	2-P7	C314	2:J5	4-E0	D104	2:D8	2-J4	L306	1:F10	4-E4
C118	1:C8	2-N2	&C315	2:G11	4-E4			2-J5	L307	1:S10	4-F8
C119	2:B6	2-Q8	C316	2:G4	4-E2	D105	1:B10	2-K1	L308	1:H9	4-G5
C120	2:B8	2-P4	C317	2:R11	4-E7	D106	1:E3	2-L1	L309	1:F10	4-J4
C121	2:B6	2-Q8	C318	2:Q12	4-F7	D107	1:D3	2-L0	L310	1:K12	4-L8
C122	1:B7	2-Q7	C319	2:G4	4-F2	D108	1:D3	2-L0	L311	1:G8	4-L6
C123	2:B8	2-P4	C320	2:H9	4-F5	D200	2:T8	3-K3	L312	1:H12	4-M7
C124	1:B8	2-P3	C322	2:G10	4-G4			3-K3	L313	1:H12	4-N8
C125	1:C6	2-R8	C323	2:Q11	4-G8	D201	1:V6	3-C7	L314	1:G5	4-M5
C126	2:A6	2-R7	C324	2:Q11	4-G8	D203	2:Q7	3-L7	L316	1:H8	4-Q5
C127	1:A8	2-P4	&C325	2:G10	4-H4			3-L6	PAD8		1-Q0
C128	2:B7	2-P2	C326	1:H4	4-G3	D300	2:G5	4-G2	PAD9		1-Q0

Device	PCB	Circuit	Device	PCB	Circuit	Device	PCB	Circuit	Device	PCB	Circuit
PAD10		1-Q0			3-B7	RV104	1:D5	2-C0	RV300	1:H5	4-E1
PAD11		1-Q1	Q1	2:K4	1-C4	R105	2:D9	2-C8	R301	2:G8	4-A2
PAD100	1:E11	2-A4	Q3	2:P3	1-J2	R106	2:C12	2-C2	RV301	1:G4	4-Q2
PAD101	1:C10	2-A3	Q4	2:S4	1-Q9	&R107	2:D10	2-D8	R302	2:G7	4-B2
PAD103	1:C3	2-L0	Q100	2:C11	2-G2	R108	2:D9	2-D8	R303	2:H4	4-D3
PAD104	1:E3	2-R1	Q101	2:D11	2-H4	&R109	2:D10	2-D8	R304	2:G5	4-D1
PAD105	1:E3	2-R0	Q102	2:B11	2-H2	R110	2:D12	2-D2	R305	2:H4	4-D2
PAD106	1:C2	2-P1	Q103	2:C8	2-J4	R111	2:C12	2-D2	R306	2:H4	4-D2
PAD107	1:C2	2-P0	Q104	2:C3	2-K0	&R112	2:D10	2-E8	R307	2:H4	4-D1
PAD108	1:C3	2-Q1	Q105	2:D7	2-N6	R113	2:B11	2-E2	R308	2:T11	4-D7
PAD109	1:C2	2-Q0	Q106	2:B9	2-M2	R114	2:C12	2-F1	R309	2:G4	4-E2
PAD110	1:E3	2-A9	Q107	2:D7	2-M6	R115	2:C10	2-G6	R310	2:G5	4-E1
PAD111	1:E8	2-A8	Q108	2:C10	2-L2	R116	2:D11	2-F4	R311	2:R11	4-E7
PAD112	1:C3	2-A5	Q109	2:C9	2-J9	R117	2:C11	2-F2	R313	2:G4	4-E3
PAD113	1:D11	2-A4	Q200	1:S6	3-K1	R119	2:C11	2-F2	R314	2:H10	4-F4
PAD114	1:D12	2-A1	Q201	1:T9	3-L2	R120	2:D9	2-F8	R315	2:Q11	4-F7
PAD115	1:E4	2-A1	Q202	2:Q7	3-K6	R121	2:E11	2-F5	R316	2:G10	4-F4
PAD116	1:C11	2-G2	Q203	2:S8	3-H7	&R122	2:C10	2-G7	R317	2:G5	4-F2
PAD117	1:B4	2-Q3	Q300	2:H5	4-D1	R123	2:D11	2-G4	R318	2:R10	4-F8
PAD118	1:E3	2-A8	Q301	2:G5	4-E2	R124	2:C11	2-G3	R319	2:Q11	4-F8
PAD119	1:D9	2-H9	Q302	2:H10	4-F4	R125	2:D11	2-G5	R320	2:Q11	4-G8
PAD120	1:B4	2-L8	Q303	2:Q11	4-G7	&R126	2:C9	2-H7	R321	2:Q11	4-G7
PAD121	1:E5	2-A5	Q304	2:F9	4-L4	&R127	2:C9	2-H7	R322	2:H10	4-G6
PAD122	1:C2	2-K9	Q305	1:H12	4-N8	R128	2:C4	2-H1	R323	2:H10	4-G5
PAD123	1:C10	2-G2	Q306	2:G7	4-P4	R129	2:C3	2-H0	R324	2:F5	4-G3
PAD124	1:B3	2-A8	R1	2:L5	1-B6	R130	2:B10	2-J4	R325	2:G5	4-G2
PAD125	1:B3	2-A8	R2	2:M3	1-B1	R131	2:C10	2-J7	R326	2:H9	4-G5
PAD126	1:D9	2-H9	R3	2:K5	1-B4	R132	2:B10	2-J2	R327	2:F5	4-G2
PAD127	1:C10	2-A4	R4	2:M3	1-B1	R133	2:A9	2-K1	R328	2:P11	4-H8
PAD128	1:B3	2-K9	R5	2:K5	1-C5	R134	2:B9	2-K3	R329	2:F6	4-H2
PL1	1:P5	1-R0	R6	2:K4	1-C5	R135	2:B10	2-L3	R330	2:L11	4-H7
		1-R1	R7	2:K5	1-C4	R136	2:B9	2-M3	R332	2:L11	4-J8
		1-R2	R8	2:M3	1-C1	R137	2:B8	2-M7	R333	2:L12	4-J7
		1-R2	R9	2:L4	1-C5	R138	2:C8	2-M4	R334	2:K11	4-J8
		1-R2	R10	2:K4	1-C1	R139	2:C8	2-M3	R335	2:G9	4-K4
		1-R2	R11	2:L4	1-C5	R140	2:D7	2-M7	R336	2:K11	4-K9
		1-R3	R12	2:L4	1-D1	R141	2:D7	2-N7	R337	2:K11	4-K8
		1-R1	R13	2:L3	1-D1	R142	2:C7	2-N7	R338	2:L12	4-K7
		1-R1	R14	2:M5	1-D6	R143	2:C8	2-N3	R339	2:F9	4-K4
PL100	1:D11	2-H3	R15	2:L3	1-D1	R144	2:A7	2-R6	R340	2:G8	4-K6
		2-H3	R16	2:R4	1-B9	R145	2:B7	2-P2	R341	2:F9	4-K5
PL101	1:D9	2-H3	R20	2:M4	1-G5	R146	2:B6	2-R7	R342	2:G7	4-L3
		2-H7	R21	2:M3	1-H3	R147	2:B5	2-Q3	R343	1:F7	4-L2
		2-H6	R22	2:L4	1-H4	R148	2:C4	2-Q3	R344	2:F6	4-L1
PL102	1:D3	2-H7	R23	2:N4	1-J4	R149	2:C11	2-F3	R345	2:G9	4-L4
		2-L0	R24	2:M4	1-J3	R150	2:B11	2-G3	R346	2:G6	4-L3
		2-L1	R25	2:M4	1-K3	R151	2:E8	2-B8	R347	2:G8	4-L6
		2-L1	R26	2:Q3	1-J2	&R152	2:E9	2-B7	R348	2:G8	4-M6
PL103	1:D9	2-B9	R27	2:P3	1-J2	R153	2:D8	2-J3	R349	2:H11	4-M7
		2-B8	R28	2:M5	1-L4	R154	2:D6	2-C1	R350	2:H3	4-N2
		2-B8	R29	2:M5	1-M3	R155	2:D6	2-C1	R352	2:H12	4-N8
PL104	1:C12	2-C1	R30	2:P5	1-J5	R156	2:D6	2-C0	R353	2:H5	4-N6
		2-C1	R31	2:P5	1-K6	R157	2:D6	2-C1	R354	2:G6	4-N4
		2-C2	R32	2:N5	1-M4	R158	2:D8	2-L6	R355	2:G3	4-P2
PL105	1:B9	2-K7	R33	2:N5	1-M2	R159	2:C10	2-L3	R356	2:H10	4-P8
		2-K7	R34	2:N4	1-L5	R160	2:C11	2-G2	R357	2:G3	4-Q2
		2-K7	R35	2:N5	1-N9	R161	2:C6	2-A0	R358	2:F4	4-Q1
		2-K7	R36	2:P8	1-M5	R174	2:D9	2-H9	&R359	2:H8	4-R6
		2-K8	R37	2:S4	1-Q8	R175	2:C9	2-J8	R360	1:F4	4-R1
PL106	1:B2	2-L8	R38	2:T4	1-C7	R176	2:C9	2-J8	R361	2:G8	4-R4
		2-L9	R39	2:S4	1-D8	R200	2:T8	3-D2	R362	2:G12	4-A5
		2-L8	R40	2:R3	1-D9	R201	2:S7	3-G1	R363	2:H11	4-P7
PL200	1:V5	3-B7	R41	2:L5	1-B5	R203	2:T8	3-K3	R364	2:G6	4-P3
		3-B6	R42	2:L4	1-D6	R204	1:U9	3-K2	R365	2:G7	4-B2
		3-B8	R100	2:B11	2-A3	R205	1:U8	3-K3	R366	2:H5	4-C1
		3-B7	RL100	1:D2	2-K1	R206	2:T6	3-L1	R367	2:H6	4-R6
		3-B6			2-N1	R207	2:T7	3-L0	R368	2:F5	4-F1
		3-B6			2-N0	R208	1:U8	3-L3	R369	1:G9	4-L4
		3-B5	RV100	1:B11	2-A2	R209	2:R7	3-M7	R370	2:G9	4-M4
		3-B5	R101	2:B12	2-A2	R212	2:Q9	3-G8	R371	2:F7	4-M2
		3-B9	RV101	1:E11	2-F5	R213	2:R7	3-J6	R372	2:G7	4-Q5
		3-B9	R102	2:C12	2-B1	R214	2:S7	3-J5	R373	2:L8	1-A4
		3-B8	RV102	1:B9	2-K3	R215	2:S8	3-H5	SJ2	1:L8	1-A4
		3-B8	R103	2:B11	2-B2	R216	2:S7	3-E0	SJ3	1:L7	1-R5
		3-B6	RV103	1:B8	2-M7	R217	2:S7	3-F1	SJ4-1	1:P8	1-R5
		3-B8	R104	2:D9	2-C9	R300	2:G8	4-A2	SJ4-2	1:P8	1-R7

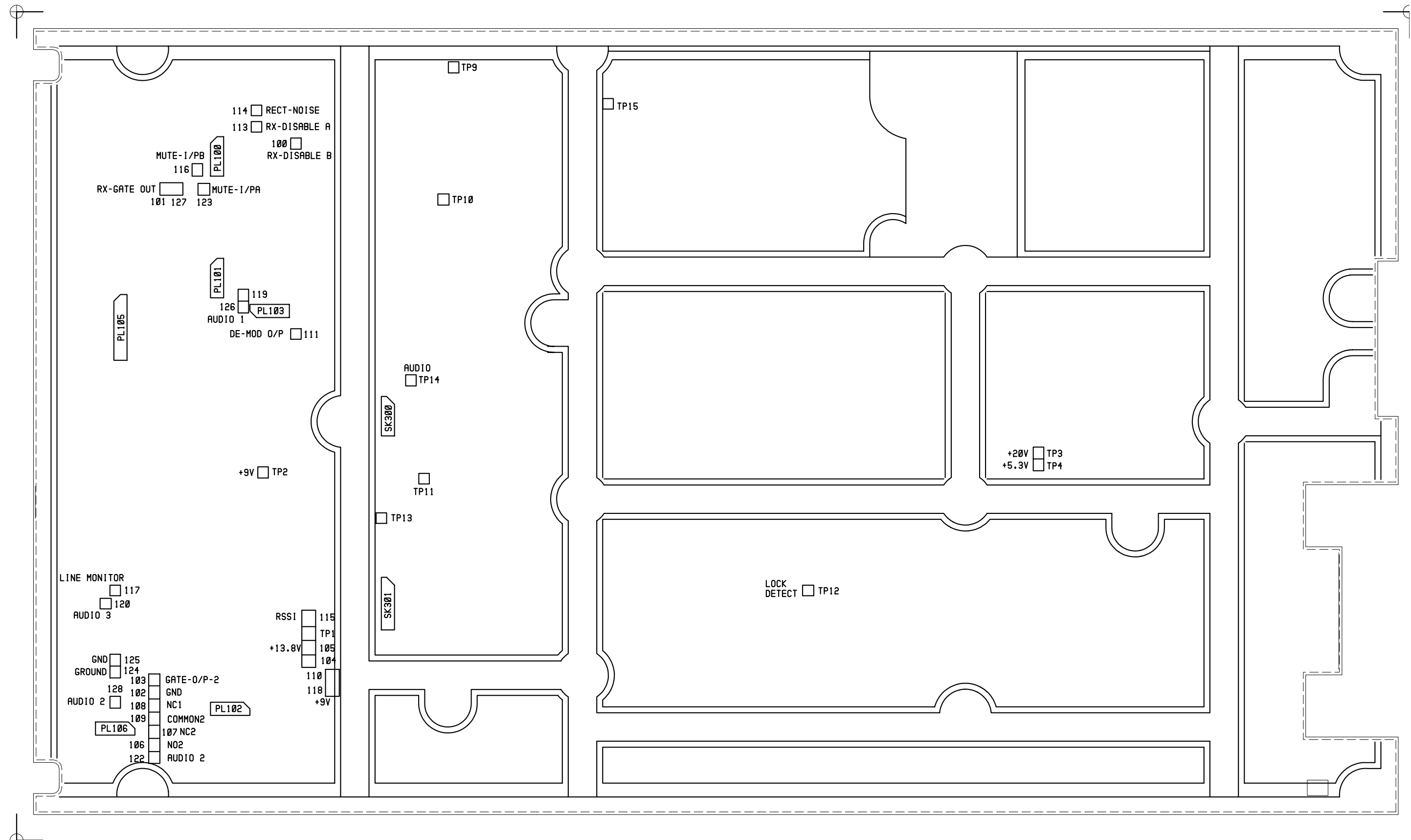
<u>Device</u>	<u>PCB</u>	<u>Circuit</u>	<u>Device</u>	<u>PCB</u>	<u>Circuit</u>	<u>Device</u>	<u>PCB</u>	<u>Circuit</u>	<u>Device</u>	<u>PCB</u>	<u>Circuit</u>
SJ4-3	1:P7	1-R6									
SJ4-4	1:P7	1-R6									
SJ4-5	1:P7	1-R9									
SJ5-1	1:K8	1-R4									
SJ5-2	1:K8	1-R4									
SJ5-3	1:K8	1-R3									
SJ5-4	1:K7	1-R3									
SJ5-5	1:K7	1-R4									
SK1	1:K5	1-A1									
		1-A3									
		1-A3									
		1-A3									
		1-A2									
		1-A2									
		1-A2									
		1-A2									
		1-A1									
		1-A1									
SK300	1:F7	4-L0									
		4-M0									
		4-L0									
SK301	1:F4	4-R0									
		4-R0									
		4-Q0									
		4-Q0									
SW100	1:B6	2-A6									
TP1	1:E4	2-P8									
TP2	1:D6	2-D9									
TP3	1:R6	3-N7									
TP4	1:R6	3-G2									
TP5		4-D8									
TP6		4-E8									
TP7		4-H8									
TP8		4-H8									
TP9	1:G12	4-A4									
TP10	1:G10	4-E5									
TP11	1:G6	4-M5									
TP12	1:N4	1-P3									
TP13	1:F5	4-J2									
TP14	1:G8	4-R5									
TP15	1:K12	4-L8									
T100	1:C4	2-Q2									
T200	1:R8	3-K7									
T200CAN	1:R8										
X300	1:H5	4-M6									
&XF300A	1:G12	4-C4									
&XF300B	1:G11	4-D4									
&XF301	1:G9	4-H4									
&XF302	1:H7	4-P5									



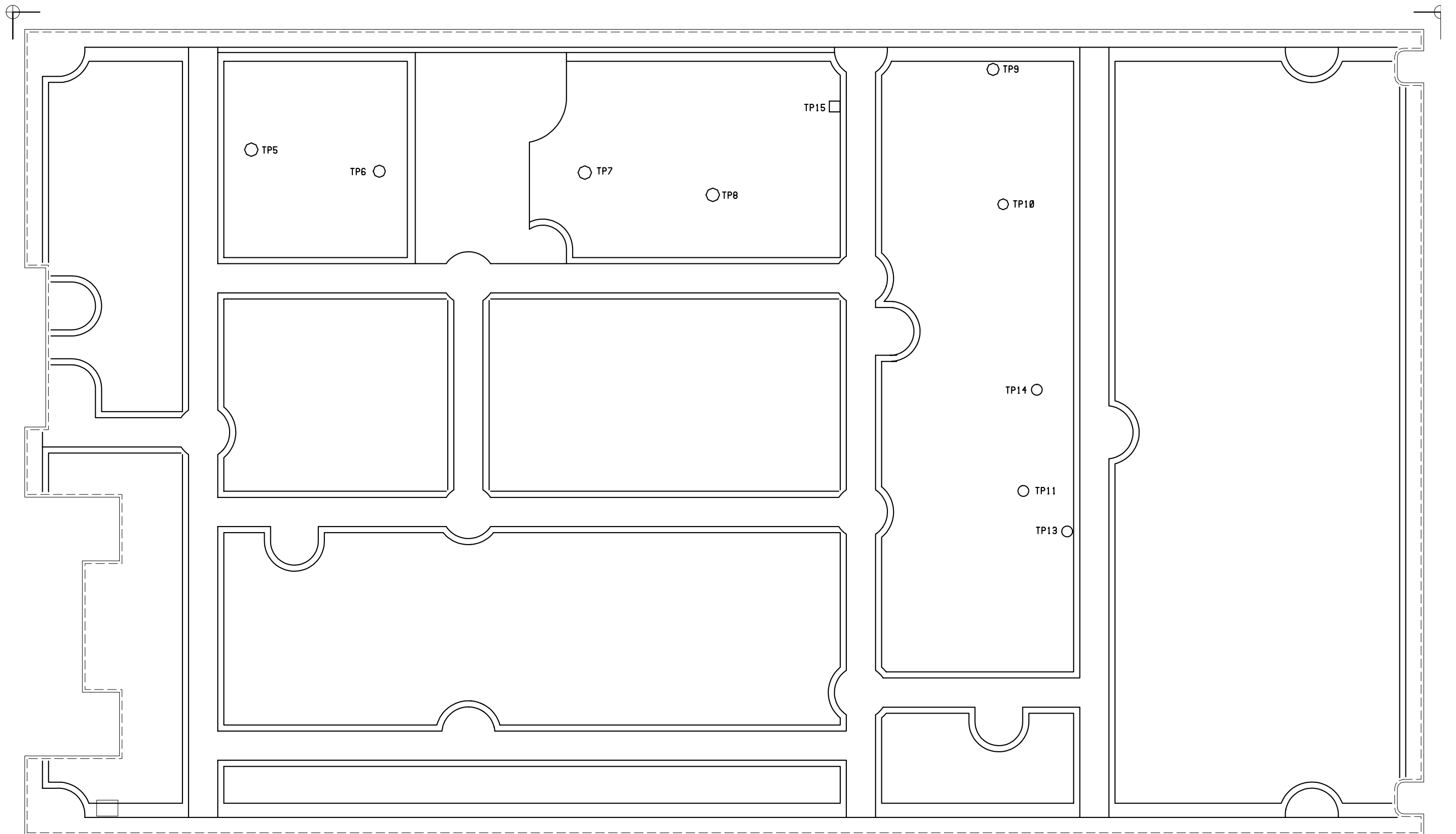
T855 PCB Layout
Top Side
220-01139-02



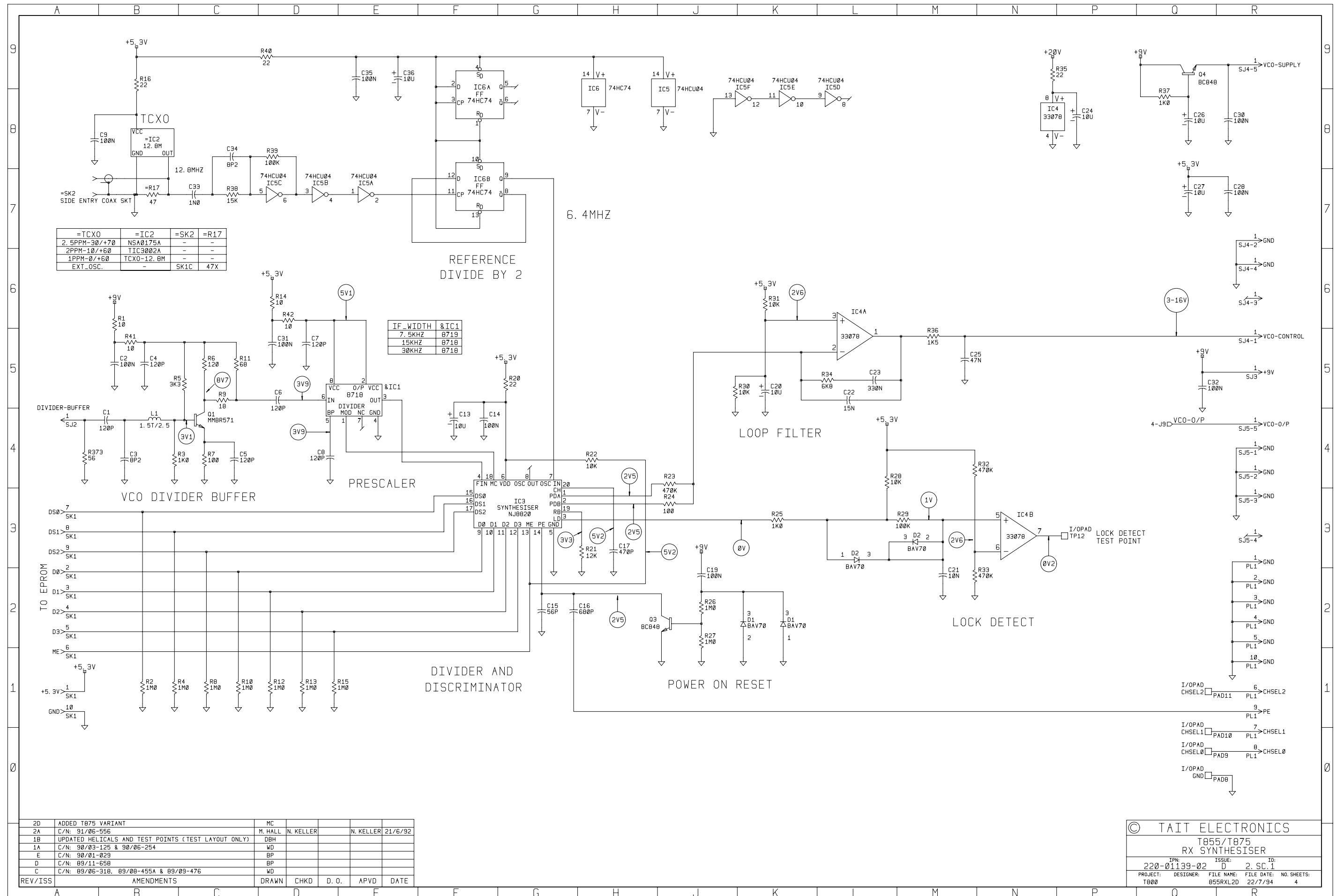
T855 PCB Layout
Bottom Side
220-01139-02



T855 Test Points & Options
Top Side
220-01139-02

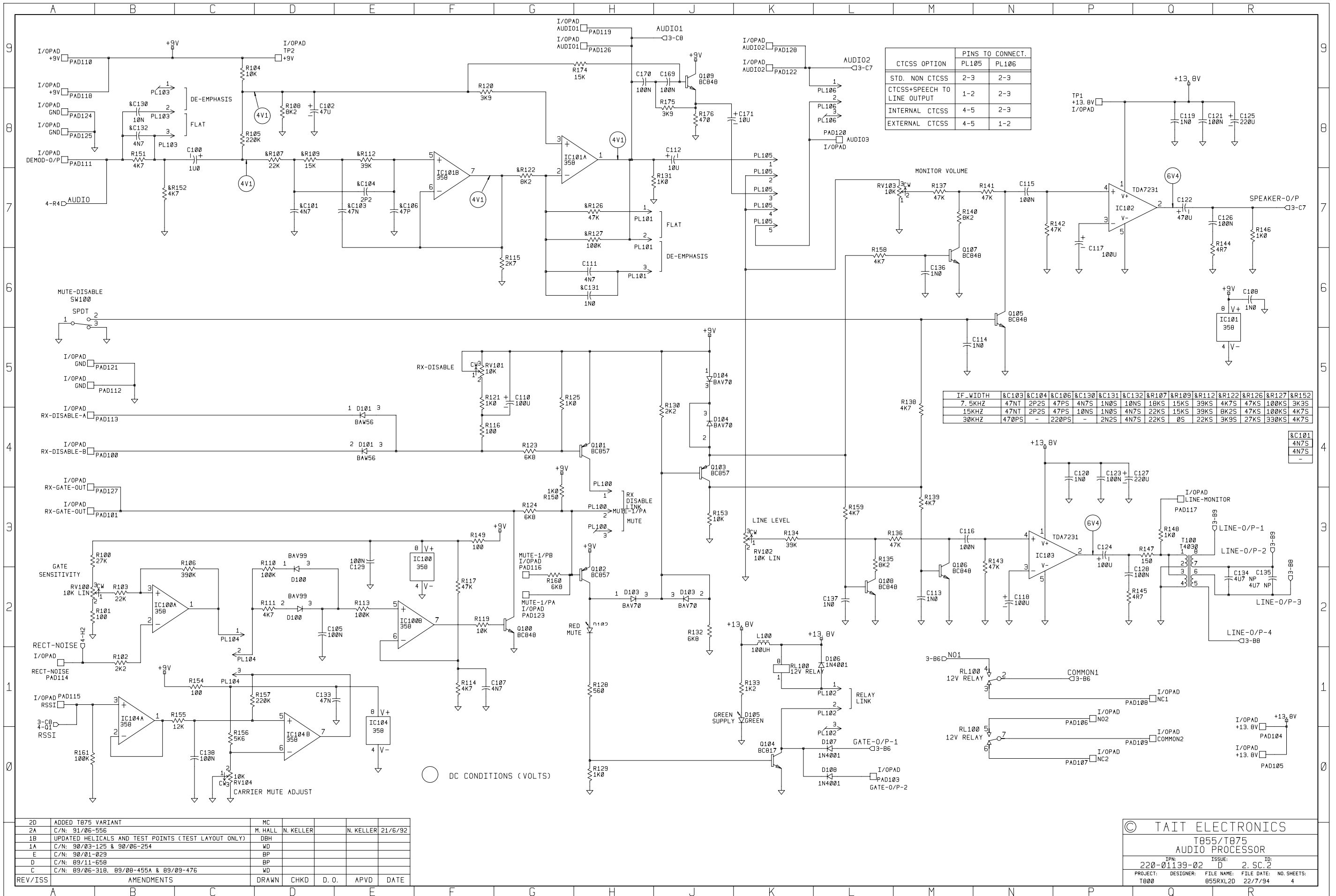


T855 Test Points & Options
Bottom Side
220-01139-02



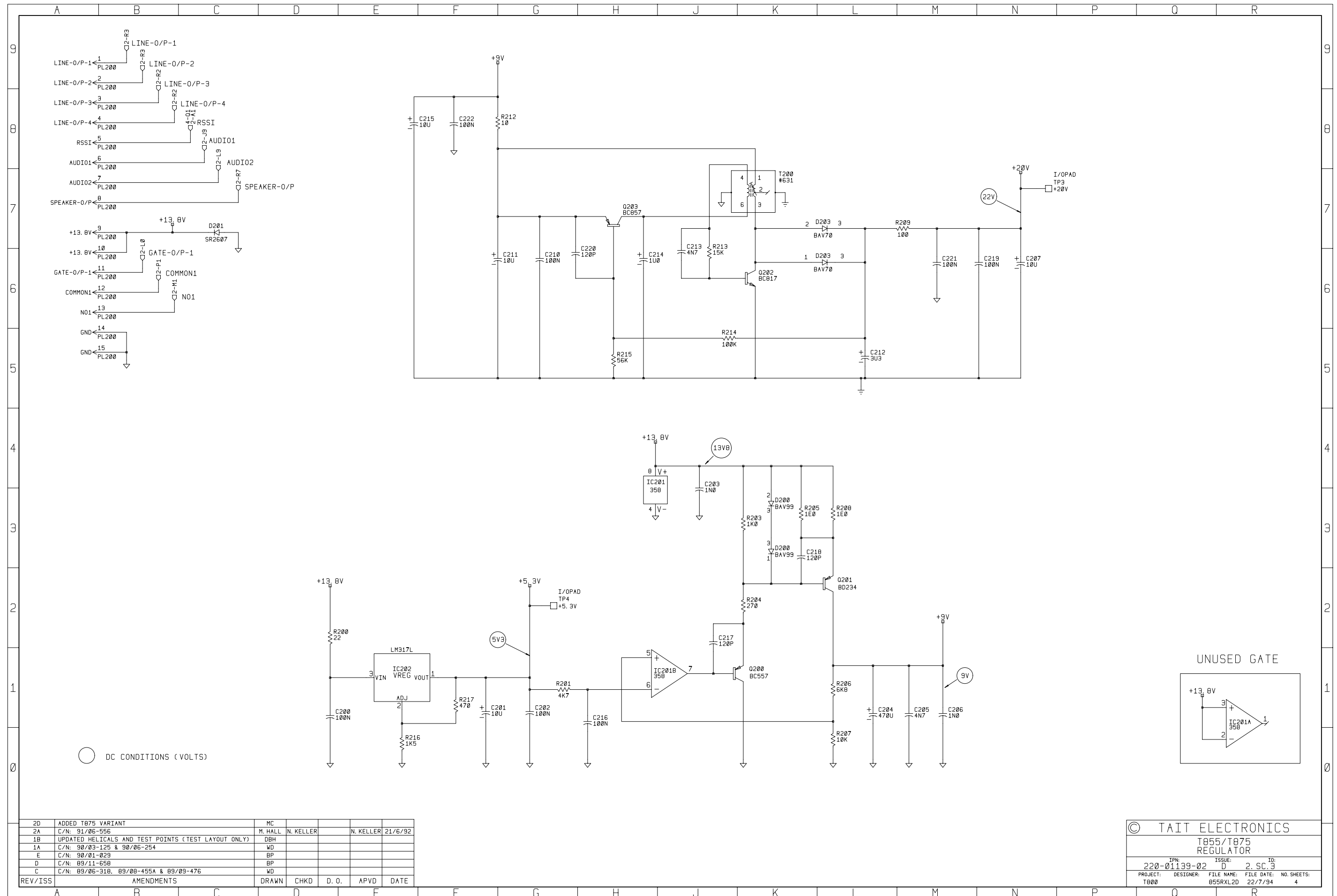
2D	ADDED T875 VARIANT	MC			
2A	C/N: 91/06-556	M. HALL	N. KELLER	N. KELLER	21/6/92
1B	UPDATED HELICALS AND TEST POINTS (TEST LAYOUT ONLY)	DBH			
1A	C/N: 90/03-125 & 90/06-254	WD			
E	C/N: 90/01-029	BP			
D	C/N: 89/11-658	BP			
C	C/N: 89/06-318, 89/08-455A & 89/09-476	WD			
REV/ISS	AMENDMENTS	DRAWN	CHKD	D.O.	APVD

© TAIT ELECTRONICS	
T855/T875 RX SYNTHESISER	
IPN: 220-01139-02	ISSUE: 2 SC. 1
PROJECT: T800	DESIGNER: B55RXL2D
FILE NAME: B55RXL2D	FILE DATE: 22/7/94
NO. SHEETS: 4	



REV/ISS	AMENDMENTS	DRAWN	CHKD	D. O.	APVD	DATE
2D	ADDED T875 VARIANT	MC				
2A	C/N: 91/06-556	M. HALL	N. KELLER	N. KELLER		21/6/92
1B	UPDATED HELICALS AND TEST POINTS (TEST LAYOUT ONLY)	DBH				
1A	C/N: 90/03-125 & 90/06-254	WD				
E	C/N: 90/01-029	BP				
D	C/N: 89/11-658	BP				
C	C/N: 89/06-318, 89/08-455A & 89/09-476	WD				

© TAIT ELECTRONICS
 T855/T875
 AUDIO PROCESSOR
 IPN: 220-01139-02 ISSUE: D 2 SC 2
 PROJECT: T800 DESIGNER: FILE NAME: B55RXL2D FILE DATE: 22/7/94 NO. SHEETS: 4



© TAIT ELECTRONICS
 T855/T875
 REGULATOR
 IPN: 220-01139-02 ISSUE: 2 SC. 3
 PROJECT: T800 DESIGNER: B55RXL2D FILE DATE: 22/7/94 NO. SHEETS: 4

